

REBATED DOOR THRESHOLDS

AMBIANCE™

Inline Window Systems

STÄRKE

| | |
|----|--------------------|
| F1 | FLASHINGS |
| F2 | WRAP/TAPE OPENINGS |
| F3 | WRAP/TAPE OPENINGS |

HINGED DOORS

| | |
|------|--|
| SR-1 | SEMI-REBATED - HINGED DOOR OPEN OUT |
| SR-2 | SEMI-REBATED - HINGED DOOR OPEN IN |
| SR-3 | SEMI-REBATED - LOW-PROFILE HINGED DOOR OPEN OUT |
| SR-4 | SEMI-REBATED - LOW-PROFILE HINGED DOOR OPEN IN |
| FR-1 | FULLY-REBATED - HINGED DOOR OPEN OUT |
| FR-2 | FULLY-REBATED - HINGED DOOR OPEN IN |
| FR-3 | FULLY-REBATED - LOW-PROFILE HINGED DOOR OPEN OUT |
| FR-4 | FULLY-REBATED - LOW-PROFILE HINGED DOOR OPEN IN |

VARIOSLIDE

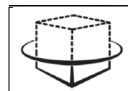
| | |
|------|--------------------------------------|
| SR-5 | SEMI-REBATED - SLIDING DOOR |
| SR-6 | SEMI-REBATED - STACKING SLIDER DOOR |
| FR-5 | FULLY-REBATED - SLIDING DOOR |
| FR-6 | FULLY-REBATED - STACKING SLIDER DOOR |

SMARTSLIDE

| | |
|------|------------------------------|
| SR-7 | SEMI-REBATED - SLIDING DOOR |
| FR-7 | FULLY-REBATED - SLIDING DOOR |

LIFTSLIDE

| | |
|------|------------------------------|
| SR-8 | SEMI-REBATED - SLIDING DOOR |
| FR-8 | FULLY-REBATED - SLIDING DOOR |

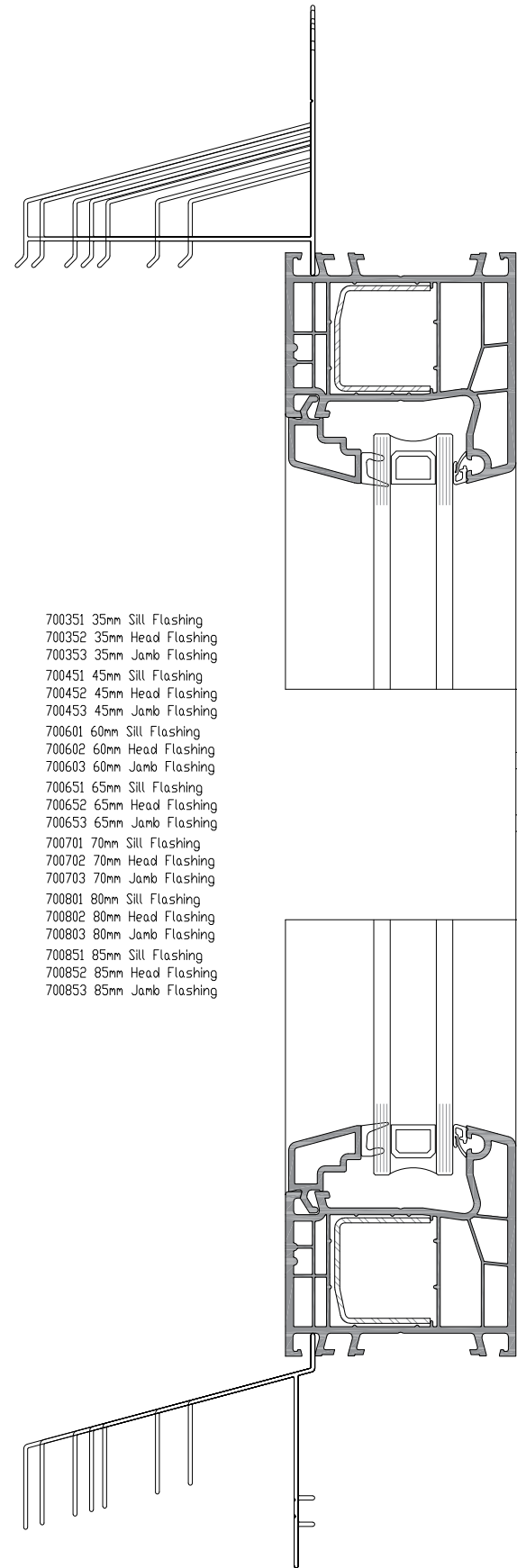


interactive assembly
instructions available

<http://wksp.nz/sg-wfl-w70>

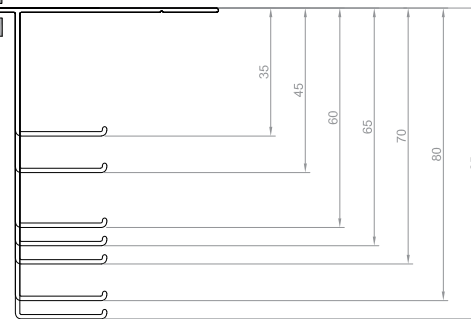


Get **WORKINGSPEC** from
Apple App Store/Google Play



- 700351 35mm Sill Flashing
- 700352 35mm Head Flashing
- 700353 35mm Jamb Flashing
- 700451 45mm Sill Flashing
- 700452 45mm Head Flashing
- 700453 45mm Jamb Flashing
- 700601 60mm Sill Flashing
- 700602 60mm Head Flashing
- 700603 60mm Jamb Flashing
- 700651 65mm Sill Flashing
- 700652 65mm Head Flashing
- 700653 65mm Jamb Flashing
- 700701 70mm Sill Flashing
- 700702 70mm Head Flashing
- 700703 70mm Jamb Flashing
- 700801 80mm Sill Flashing
- 700802 80mm Head Flashing
- 700803 80mm Jamb Flashing
- 700851 85mm Sill Flashing
- 700852 85mm Head Flashing
- 700853 85mm Jamb Flashing

| FLASHING KITS | RECOMMENDED CLADDING DIMs | SOME TYPICAL APPLICATIONS |
|---------------|---------------------------|---|
| 35mm | 25 to 29mm | 19 Cavity & 9mm Sheet -OR- 19 Cavity & Folded Metal Cladding |
| 45mm | 35 to 39mm | 19 Cavity & 19mm Sheet -OR- 19 Cavity & Rusticated Weatherboard |
| 60mm | 50 to 54mm | 19 Cavity & Bevel-Back Weatherboard -OR- 45 Cavity & 9mm Sheet |
| 65mm | 55 to 59mm | 50 Cavity & 70 Brick -OR- 45 Cavity & Folded Metal Cladding |
| 70mm | 60 to 69mm | 45 Cavity & 19mm Sheet -OR- 45 Cavity & Rusticated Weatherboard |
| 80mm | 70 to 74mm | 19 Cavity & Bevel-Back Weatherboard with Facings |
| 85mm | 75 to 79mm | 45 Cavity & Bevel-Back Weatherboard |



AMBIANCE™

Inline Window Systems



DISCLAIMER: THIS INFORMATION IS FOR GUIDANCE ONLY. STARKE GROUP LIMITED (TRADING AS STÄRKE) MAKES NO WARRANTY OR REPRESENTATION OF ANY KIND, EXPRESS OR IMPLIED, REGARDING THE COMPLETENESS, ACCURACY, RELIABILITY OR SUITABILITY OF THE PRODUCT SHOWN HEREIN. RELIANCE ON THIS INFORMATION IS AT THE CUSTOMER'S SOLE RISK. IT IS RECOMMENDED THAT THE CUSTOMER SEEKS PROFESSIONAL ADVICE ON THE SUITABILITY OF THE PRODUCT FOR SPECIFIC APPLICATIONS. FOR TECHNICAL INFORMATION ON THE PRODUCT, PLEASE CONTACT STÄRKE.

Opening Preparation

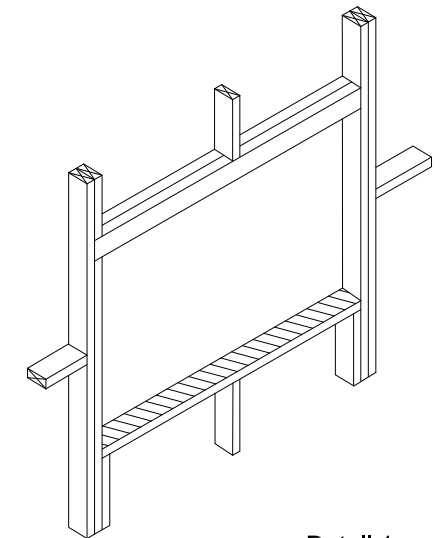
The preparation of the wall opening prior to the installation of the window or door is essentially the same regardless of cladding option. The following offers a step by step guide to the process.

Step P1 – Preliminary Check

Before proceeding with the installation and preparation of the wall underlay, the installer should examine and confirm that the sill trimmer is essentially level, straight and free of twist. It is particularly important that it is well secured and does not slope toward the interior of the building.

If necessary, the sill trimmer should be planed to ensure it does not exhibit any of the above conditions.

The sill trimmer must be designed to comply with NZS3604.



Detail 1

Note: Projects within the new Extra High wind zone require the use of a Rigid Underlay in addition to and underneath a flexible wall underlay, except as noted in the attached comment.

This needs to be considered when sizing the windows.

9.1.7.2 Rigid wall underlays, in association with drained cavities (including direct fixed corrugated profile metal) are required in Extra High wind zones. Refer to Table 3 and Table 23. Rigid underlays are also required to external walls of attached garages that are unlined. Refer Paragraphs 1.1.1 & 9.1.3.4 c).

Rigid wall underlays shall be in accordance with Table 23, and shall:

- Be minimum 7mm plywood, or 6mm fibre cement sheet
- Be installed with sheet edges fixed over solid framing
- Be over-fixed with a flexible wall underlay from Table 23 and installed as in Paragraph 9.1.7.1

COMMENT:

Some proprietary systems may not require the addition of a flexible underlay

Step P2 – Cut the Underlay

Clause 9.1.5 a) describes the application of a flexible wall underlay.

Amend 5 Aug 2011 **9.1.5 Wall underlays to wall openings**

Prior to window or door installation:

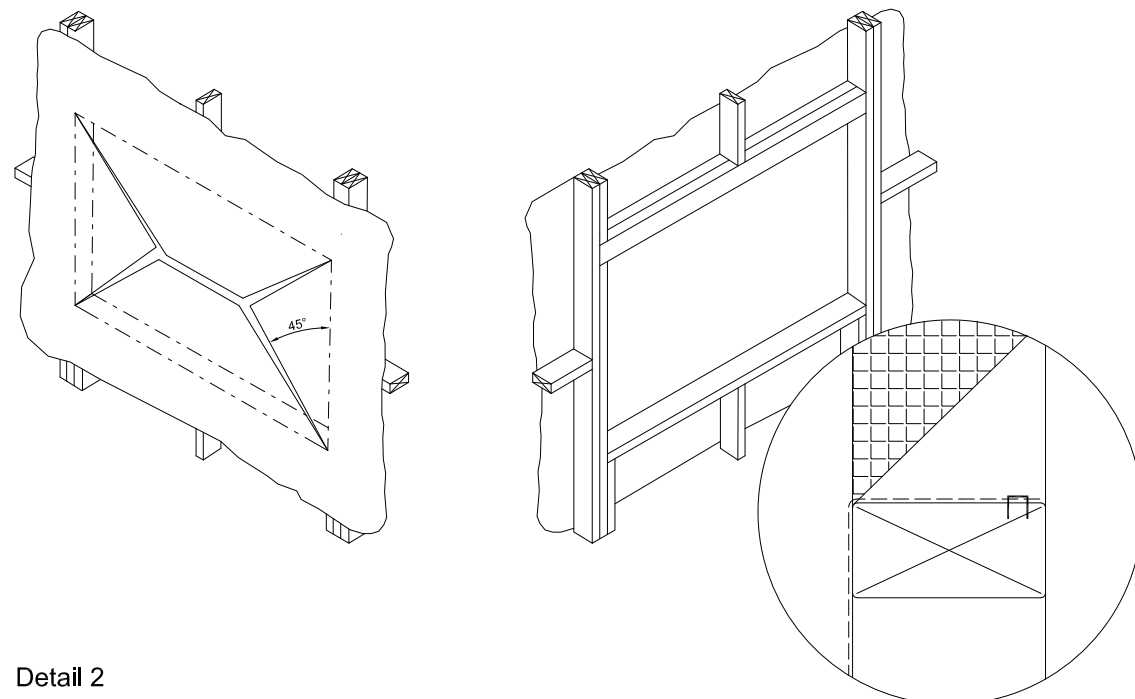
Flexible wall underlay shall be cut and dressed into all sides of openings as per Figure 72A and B,

Amend 5 Aug 2011

To achieve this, follow these steps;

- a. Cut the building underlay at 45° away from each corner.
- b. Fold the flaps tightly into the opening and secure to the framing on all sides.
- c. Trim off excess underlay after fixing.

Note: Figures 72A & 72B do not show the inner extent of the flexible wall underlay. The industry trend has been to cut this off at the inner corner of the framing as wrapping around sometimes interferes with the internal linings. Ensure the underlay is fixed tightly to the framework.



Detail 2

Step P3 – Flexible Flashing Tape

After ensuring the flashing tape to be used meets the criteria set out in Clause 9.1.5 b), follow these steps to satisfy the clause;

- a. Cut the flashing tape for the sill at least 200mm wider than the opening.
- b. Fit the tape, as described in the manufacturers literature, with the inner edge of the tape flush with the inside line of the framing, so that it extends a minimum of 100mm up each jamb ensuring timber framing is covered.
- c. Ensure the tape is securely adhered to the underlay on all surfaces and fits tightly into each of the corners.
- d. Cut two more pieces of tape at least 200mm long and fit into each of the upper corners as described above ensuring timber framing is covered.

Amend 5 Aug 2011 b) Flexible flashing tape shall be applied to head and sill framing as shown in Figures 72A and 72B. Flexible flashing tape shall:

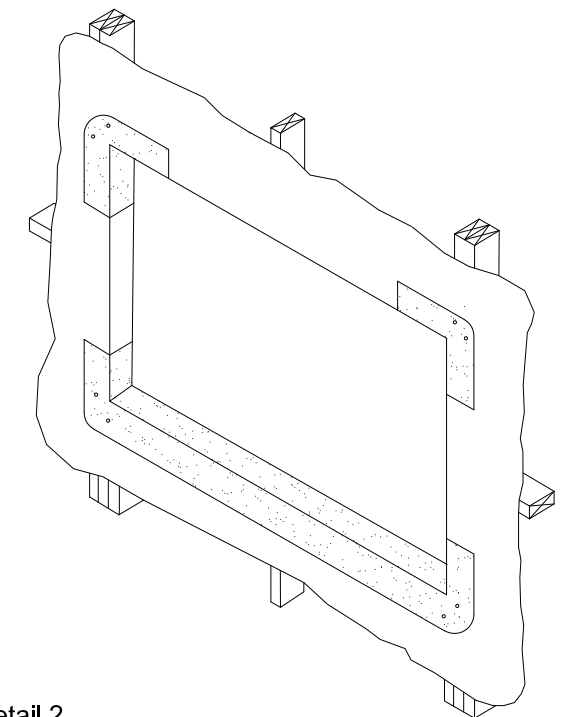
Amend 5 Aug 2011 i) Comply with parts 3.2 and 4 of ICBO Acceptance Criteria AC148, and

Amend 5 Aug 2011 ii) be compatible with the wall underlay

COMMENT:

Amend 5 Aug 2011 Dressing the wall underlay around the framing timber and providing a flexible air seal limits airflow around the window reveal.

The flexible flashing tape keeps any water that does get past the cladding, or through the joinery, from direct contact with the timber.



Detail 2

Note: Ensure all exposed timber is covered, particularly in the corners. This may mean the tape has to extend further than nominated.

Hinged door Open out

Semi-Rebated

STARKE
AMBIANCE INLINE
WINDOW SYSTEM -
MASTERSPEC
4541SU uPVC

ALLOW MIN
12mm
CLEARANCE
FOR DECK
LEVEL

JOINERY SIZE

12

12

30

5 Min

STARKE FIXING STRAPS
@ 450 CTRS

SYSTEM DRAINAGE
OUTLET, DO NOT
OBSTRUCT!

TESCON EXTORA PROFIL AIR-SEAL
TAPE TO ALL 4 SIDES INTERNALLY

Dim INCLUDES floor
finish/covering

PACKING/INFILL BY
OTHERS

WRAP/TAPE/DPM TO E2/AS1 BY
OTHERS, RETURNS INTO OPENING
TO MEET AIRSEAL

10g x 60 SS SCREWS
@ 450 CTRS

INSULATION IF
APPLICABLE

110 Nom

STARKE
AMBIANCE INLINE
WINDOW SYSTEM -
MASTERSPEC
4541SU uPVC

ALLOW MIN
12mm
CLEARANCE
FOR DECK
LEVEL

JOINERY SIZE

12

12

30

5 Min

STARKE FIXING STRAPS
@ 450 CTRS

SYSTEM DRAINAGE
OUTLET, DO NOT
OBSTRUCT!

STARKE FIXING STRAPS
@ 450 CTRS

TESCON EXTORA PROFIL AIR-SEAL
TAPE TO ALL 4 SIDES INTERNALLY

Dim INCLUDES floor
finish/covering

LINER / INFILL BY
OTHERS

WRAP/TAPE/DPM TO E2/AS1 BY
OTHERS, RETURNS INTO OPENING
TO MEET AIRSEAL

10g x 60 SS SCREWS
@ 450 CTRS

35 Nom

DISCLAIMER: THIS INFORMATION IS FOR GUIDANCE ONLY. STARKE GROUP LIMITED (TRADING AS STÄRKE) MAKES NO WARRANTY OR REPRESENTATION OF ANY KIND, EXPRESS OR IMPLIED, REGARDING THE COMPLETENESS, ACCURACY, RELIABILITY OR SUITABILITY OF THE PRODUCT SHOWN HEREIN. RELIANCE ON THIS INFORMATION IS AT THE CUSTOMER'S SOLE RISK. IT IS RECOMMENDED THAT THE CUSTOMER SEEKS PROFESSIONAL ADVICE ON THE SUITABILITY OF THE PRODUCT FOR SPECIFIC APPLICATIONS. FOR TECHNICAL INFORMATION ON THE PRODUCT, PLEASE CONTACT STÄRKE.

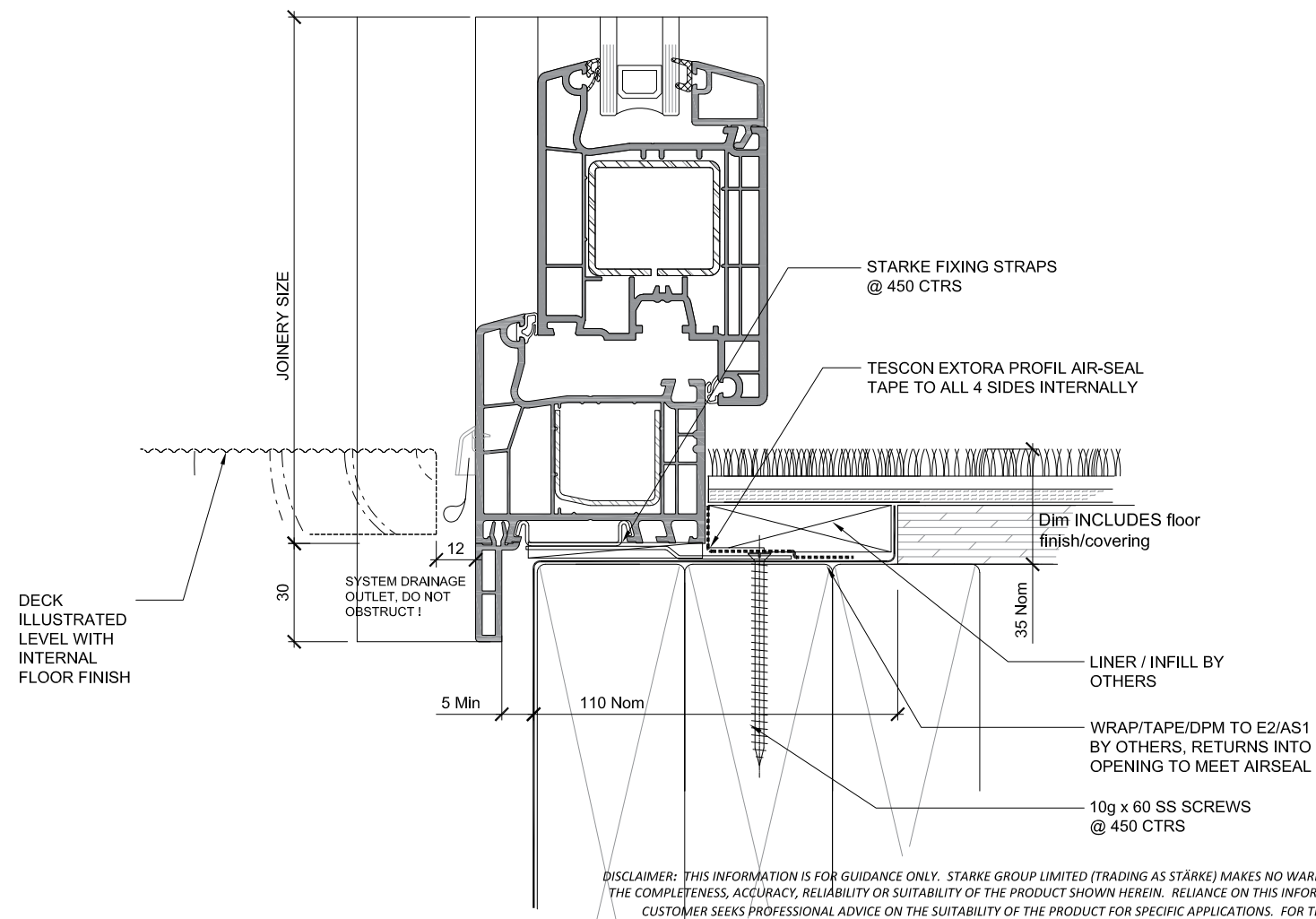
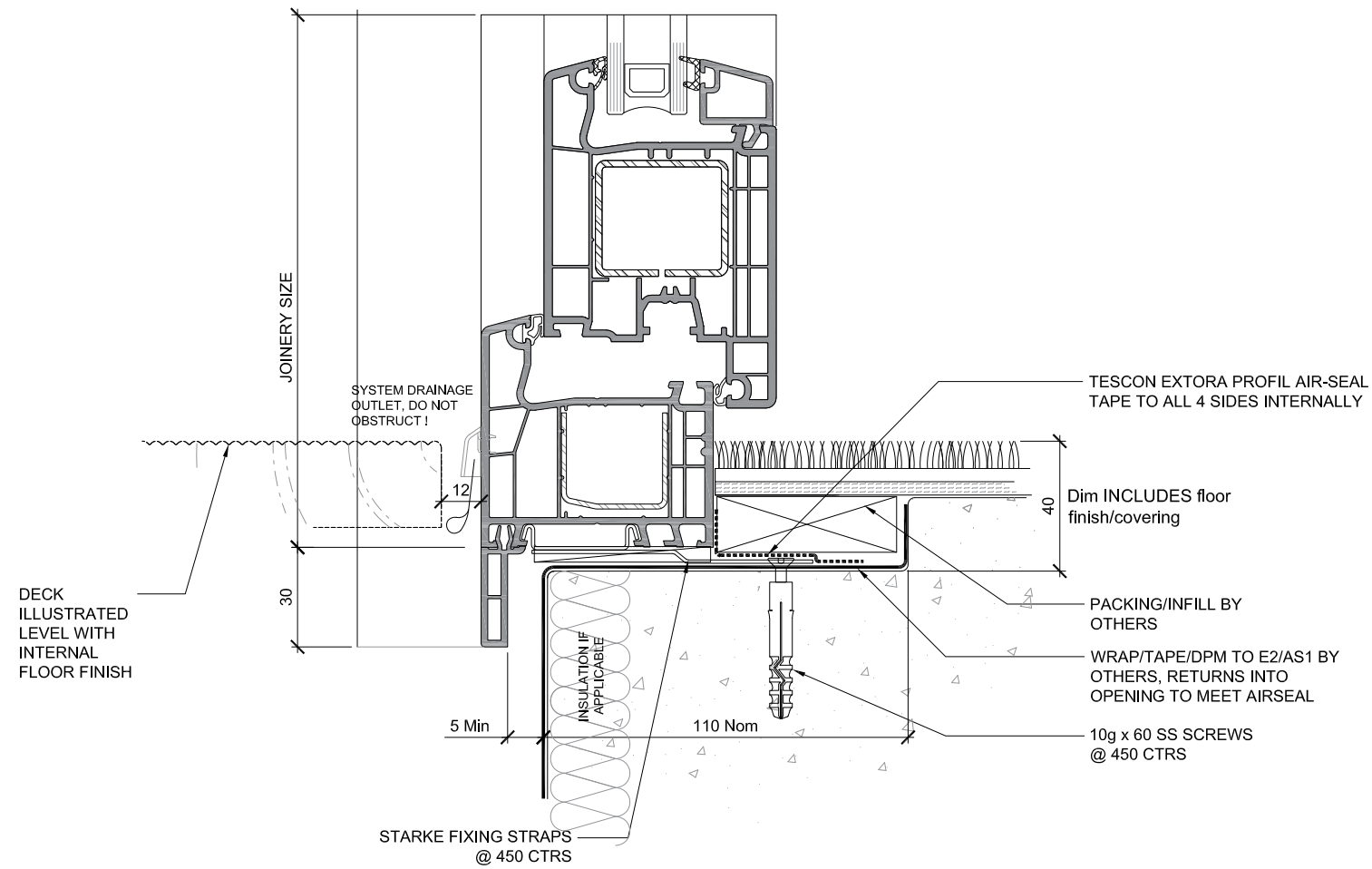
AMBIANCE™

Inline Window Systems

STÄRKE

Hinged door Open in

Semi-Rebated



DISCLAIMER: THIS INFORMATION IS FOR GUIDANCE ONLY. STARKE GROUP LIMITED (TRADING AS STÄRKE) MAKES NO WARRANTY OR REPRESENTATION OF ANY KIND, EXPRESS OR IMPLIED, REGARDING THE COMPLETENESS, ACCURACY, RELIABILITY OR SUITABILITY OF THE PRODUCT SHOWN HEREIN. RELIANCE ON THIS INFORMATION IS AT THE CUSTOMER'S SOLE RISK. IT IS RECOMMENDED THAT THE CUSTOMER SEEKS PROFESSIONAL ADVICE ON THE SUITABILITY OF THE PRODUCT FOR SPECIFIC APPLICATIONS. FOR TECHNICAL INFORMATION ON THE PRODUCT, PLEASE CONTACT STÄRKE.

AMBIANCE™

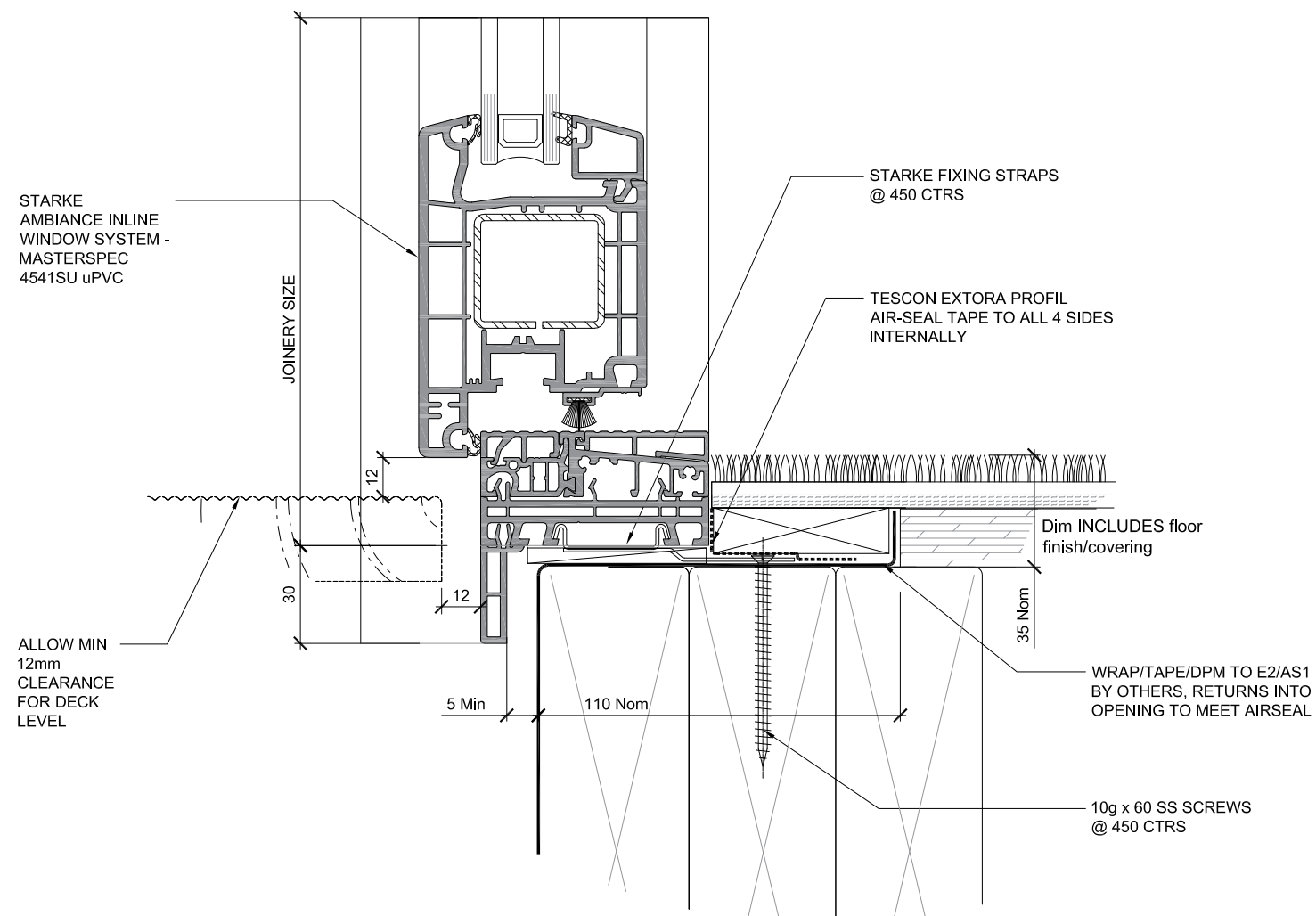
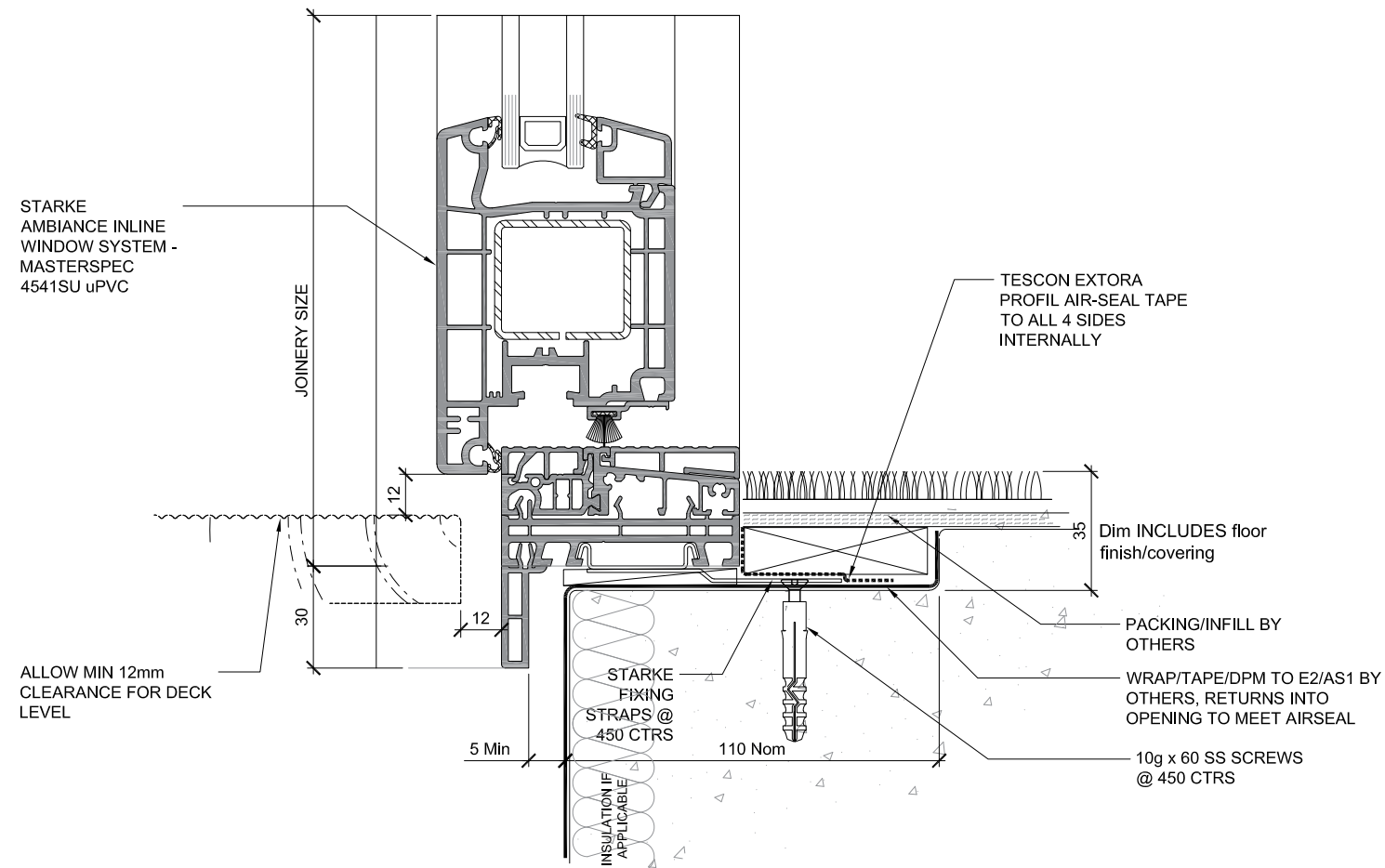
Inline Window Systems

STÄRKE

Hinged door Open out

Premium - Low profile threshold

Semi-Rebated



AMBIANCE™

Inline Window Systems

STÄRKE

Hinged door Open in

Premium - Low profile threshold

Semi/Full Rebated

STARKE
AMBIANCE INLINE
WINDOW SYSTEM -
MASTERSPEC
4541SU uPVC

JOINERY SIZE

18 Nom

TESCON EXTORA PROFIL AIR-SEAL
TAPE TO ALL 4 SIDES INTERNALLY

10 Min

23 MAX !
Dim INCLUDES floor
finish/covering

DECK
ILLUSTRATED
LEVEL WITH
INTERNAL
FLOOR FINISH

30

12

5 Min

INSULATION IF
APPLICABLE

110 Nom

PACKING/INFILL BY
OTHERS

WRAP/TAPE/DPM TO E2/AS1 BY
OTHERS, RETURNS INTO
OPENING TO MEET AIRSEAL

10g x 60 SS SCREWS
@ 450 CTRS

STARKE
AMBIANCE INLINE
WINDOW SYSTEM -
MASTERSPEC
4541SU uPVC

JOINERY SIZE

18 Nom

STARKE FIXING STRAPS
@ 450 CTRS

TESCON EXTORA PROFIL AIR-SEAL
TAPE TO ALL 4 SIDES INTERNALLY

10 Min

23 MAX !
Dim INCLUDES floor
finish/covering

DECK
ILLUSTRATED
LEVEL WITH
INTERNAL
FLOOR FINISH

30

12

5 Min

110 Nom

LINER / INFILL BY
OTHERS

WRAP/TAPE/DPM TO E2/AS1 BY
OTHERS, RETURNS INTO
OPENING TO MEET AIRSEAL

10g x 60 SS SCREWS
@ 450 CTRS

DISCLAIMER: THIS INFORMATION IS FOR GUIDANCE ONLY. STARKE GROUP LIMITED (TRADING AS STÄRKE) MAKES NO WARRANTY OR REPRESENTATION OF ANY KIND, EXPRESS OR IMPLIED, REGARDING THE COMPLETENESS, ACCURACY, RELIABILITY OR SUITABILITY OF THE PRODUCT SHOWN HEREIN. RELIANCE ON THIS INFORMATION IS AT THE CUSTOMER'S SOLE RISK. IT IS RECOMMENDED THAT THE CUSTOMER SEEKS PROFESSIONAL ADVICE ON THE SUITABILITY OF THE PRODUCT FOR SPECIFIC APPLICATIONS. FOR TECHNICAL INFORMATION ON THE PRODUCT, PLEASE CONTACT STÄRKE.

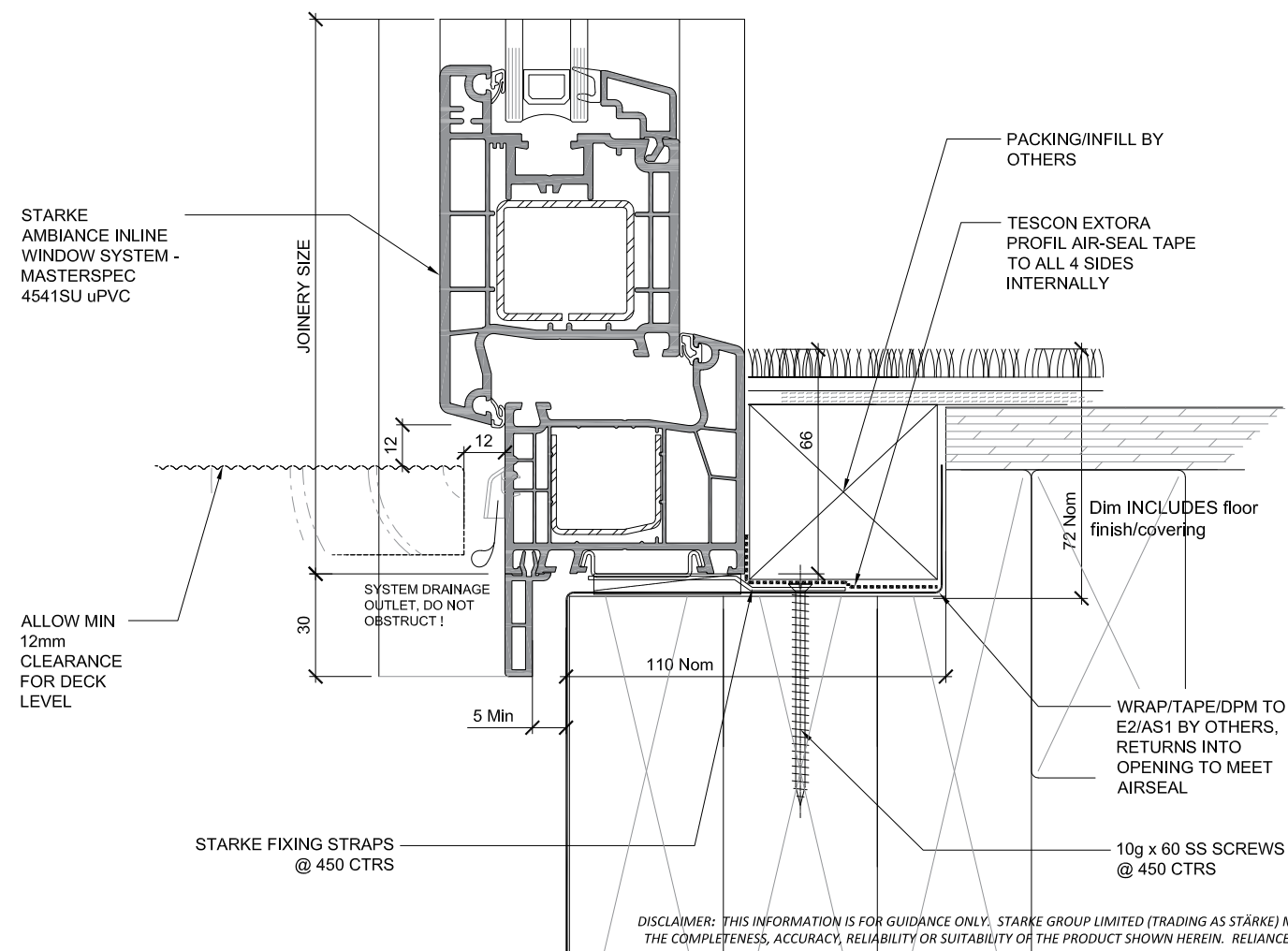
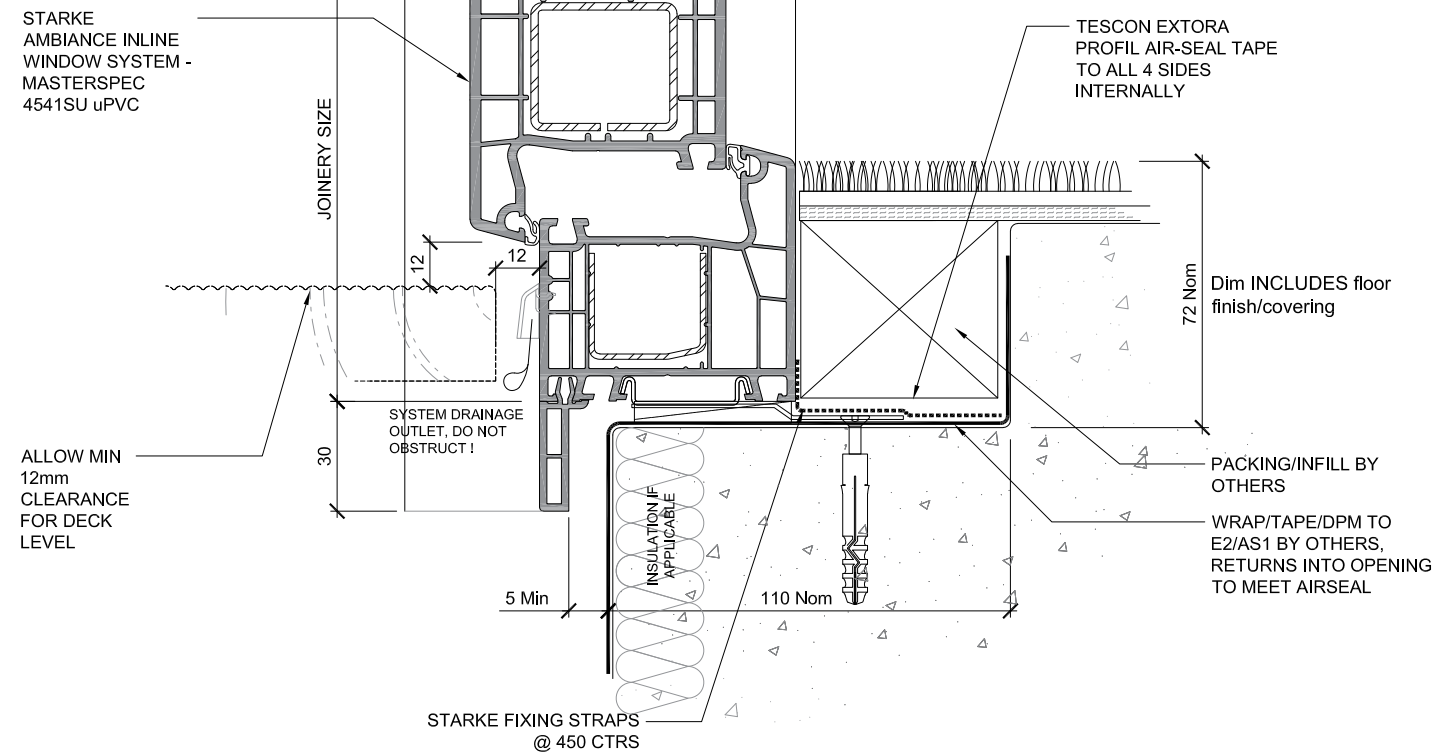
AMBIANCE™

Inline Window Systems

STÄRKE

Hinged door Open out

Fully Rebated



AMBIANCE™

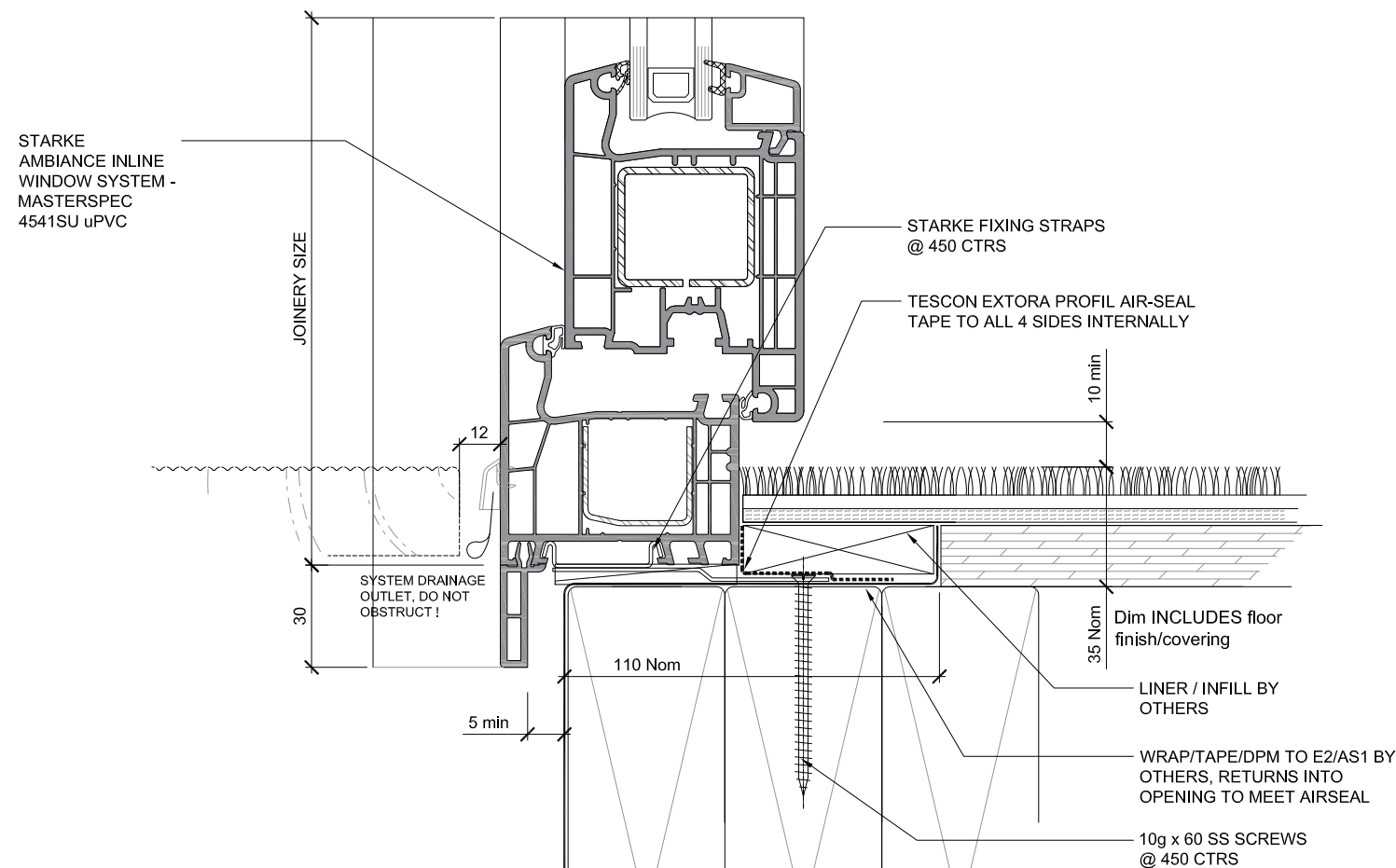
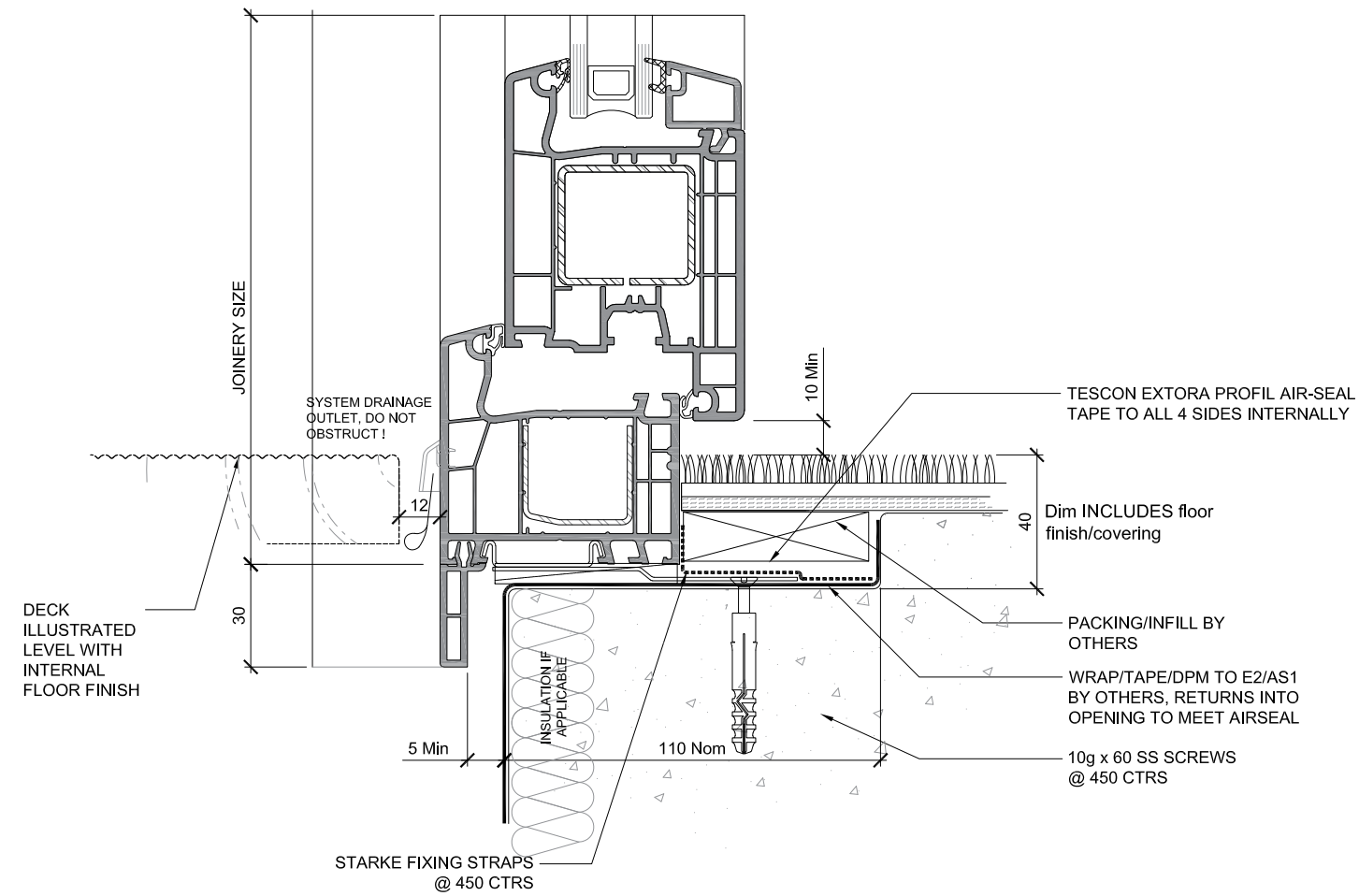
Inline Window Systems

STÄRKE

DISCLAIMER: THIS INFORMATION IS FOR GUIDANCE ONLY. STARKE GROUP LIMITED (TRADING AS STÄRKE) MAKES NO WARRANTY OR REPRESENTATION OF ANY KIND, EXPRESS OR IMPLIED, REGARDING THE COMPLETENESS, ACCURACY, RELIABILITY OR SUITABILITY OF THE PRODUCT SHOWN HEREIN. RELIANCE ON THIS INFORMATION IS AT THE CUSTOMER'S SOLE RISK. IT IS RECOMMENDED THAT THE CUSTOMER SEEKS PROFESSIONAL ADVICE ON THE SUITABILITY OF THE PRODUCT FOR SPECIFIC APPLICATIONS. FOR TECHNICAL INFORMATION ON THE PRODUCT, PLEASE CONTACT STÄRKE.

Hinged door Open in

Fully Rebated



DISCLAIMER: THIS INFORMATION IS FOR GUIDANCE ONLY. STARKE GROUP LIMITED (TRADING AS STÄRKE) MAKES NO WARRANTY OR REPRESENTATION OF ANY KIND, EXPRESS OR IMPLIED, REGARDING THE COMPLETENESS, ACCURACY, RELIABILITY OR SUITABILITY OF THE PRODUCT SHOWN HEREIN. RELIANCE ON THIS INFORMATION IS AT THE CUSTOMER'S SOLE RISK. IT IS RECOMMENDED THAT THE CUSTOMER SEEKS PROFESSIONAL ADVICE ON THE SUITABILITY OF THE PRODUCT FOR SPECIFIC APPLICATIONS. FOR TECHNICAL INFORMATION ON THE PRODUCT, PLEASE CONTACT STÄRKE.

AMBIANCE™

Inline Window Systems

STÄRKE

Hinged door Open out

Premium - Low profile threshold

Fully Rebated

STARKE
AMBIANCE INLINE
WINDOW SYSTEM -
MASTERSPEC
4541SU uPVC

JOINERY SIZE

TESCON EXTORA
PROFIL AIR-SEAL TAPE
TO ALL 4 SIDES
INTERNALLY

42 Nom
Dim INCLUDES floor
finish/covering

ALLOW MIN 12mm
CLEARANCE FOR DECK
LEVEL

5 Min

STARKE
FIXING
STRAPS @
450 CTRS

110 Nom

PACKING/INFILL BY
OTHERS

WRAP/TAPE/DPM TO E2/AS1
BY OTHERS, RETURNS INTO
OPENING TO MEET AIRSEAL

10g x 60 SS SCREWS
@ 450 CTRS

INSULATION IF
APPLICABLE

STARKE
AMBIANCE INLINE
WINDOW SYSTEM -
MASTERSPEC
4541SU uPVC

JOINERY SIZE

STARKE FIXING STRAPS
@ 450 CTRS

TESCON EXTORA PROFIL
AIR-SEAL TAPE TO ALL 4 SIDES
INTERNALLY

42 Nom
Dim INCLUDES floor
finish/covering

ALLOW MIN
12mm
CLEARANCE
FOR DECK
LEVEL

JOINERY SIZE

5

STARKE
FIXING
STRAPS @
450 CTRS

110 Nom

INFILL BY OTHERS

WRAP/TAPE/DPM TO E2/AS1
BY OTHERS, RETURNS INTO
OPENING TO MEET AIRSEAL

10g x 60 SS SCREWS
@ 450 CTRS

DISCLAIMER: THIS INFORMATION IS FOR GUIDANCE ONLY. STARKE GROUP LIMITED (TRADING AS STÄRKE) MAKES NO WARRANTY OR REPRESENTATION OF ANY KIND, EXPRESS OR IMPLIED, REGARDING THE COMPLETENESS, ACCURACY, RELIABILITY OR SUITABILITY OF THE PRODUCT SHOWN HEREIN. RELIANCE ON THIS INFORMATION IS AT THE CUSTOMER'S SOLE RISK. IT IS RECOMMENDED THAT THE CUSTOMER SEEKS PROFESSIONAL ADVICE ON THE SUITABILITY OF THE PRODUCT FOR SPECIFIC APPLICATIONS. FOR TECHNICAL INFORMATION ON THE PRODUCT, PLEASE CONTACT STÄRKE.

AMBIANCE™

Inline Window Systems

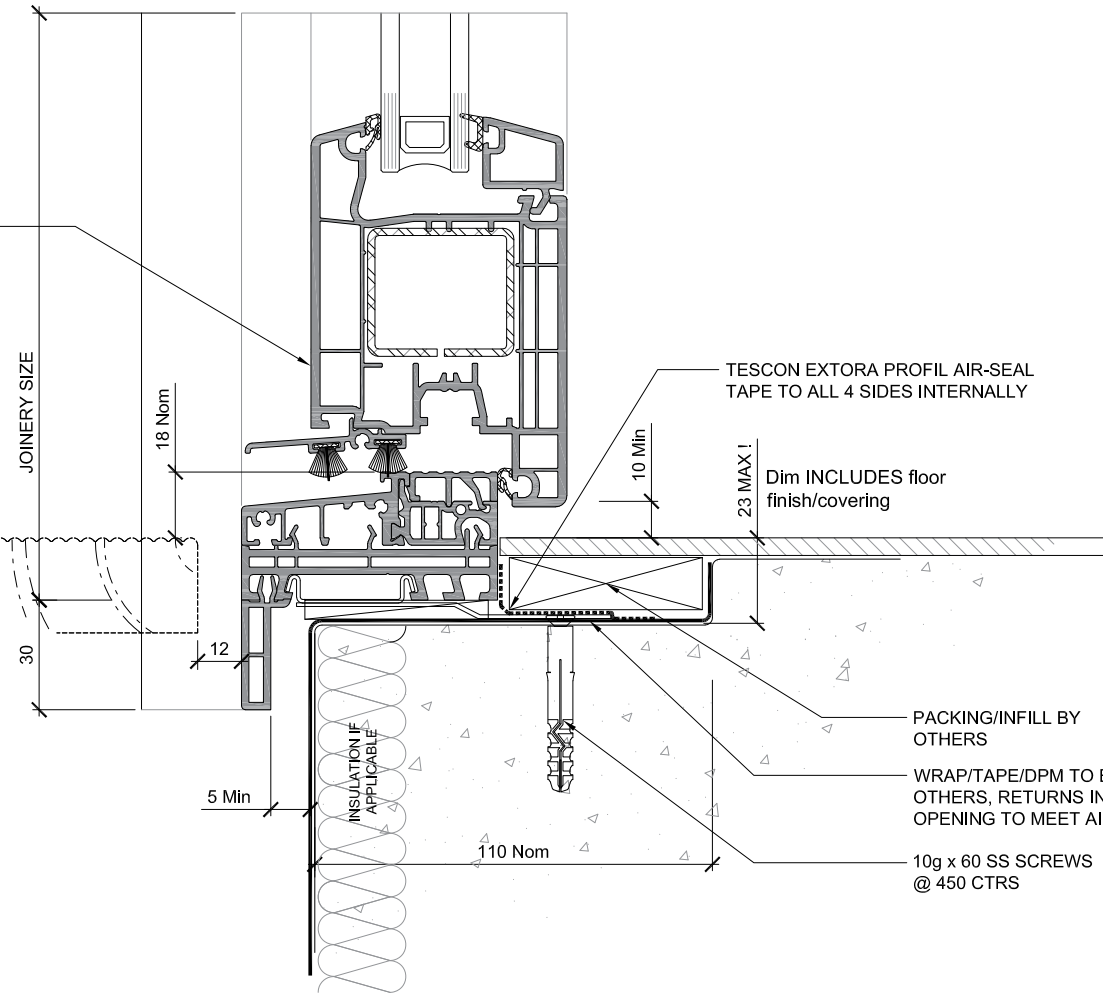
STÄRKE

Hinged door Open in

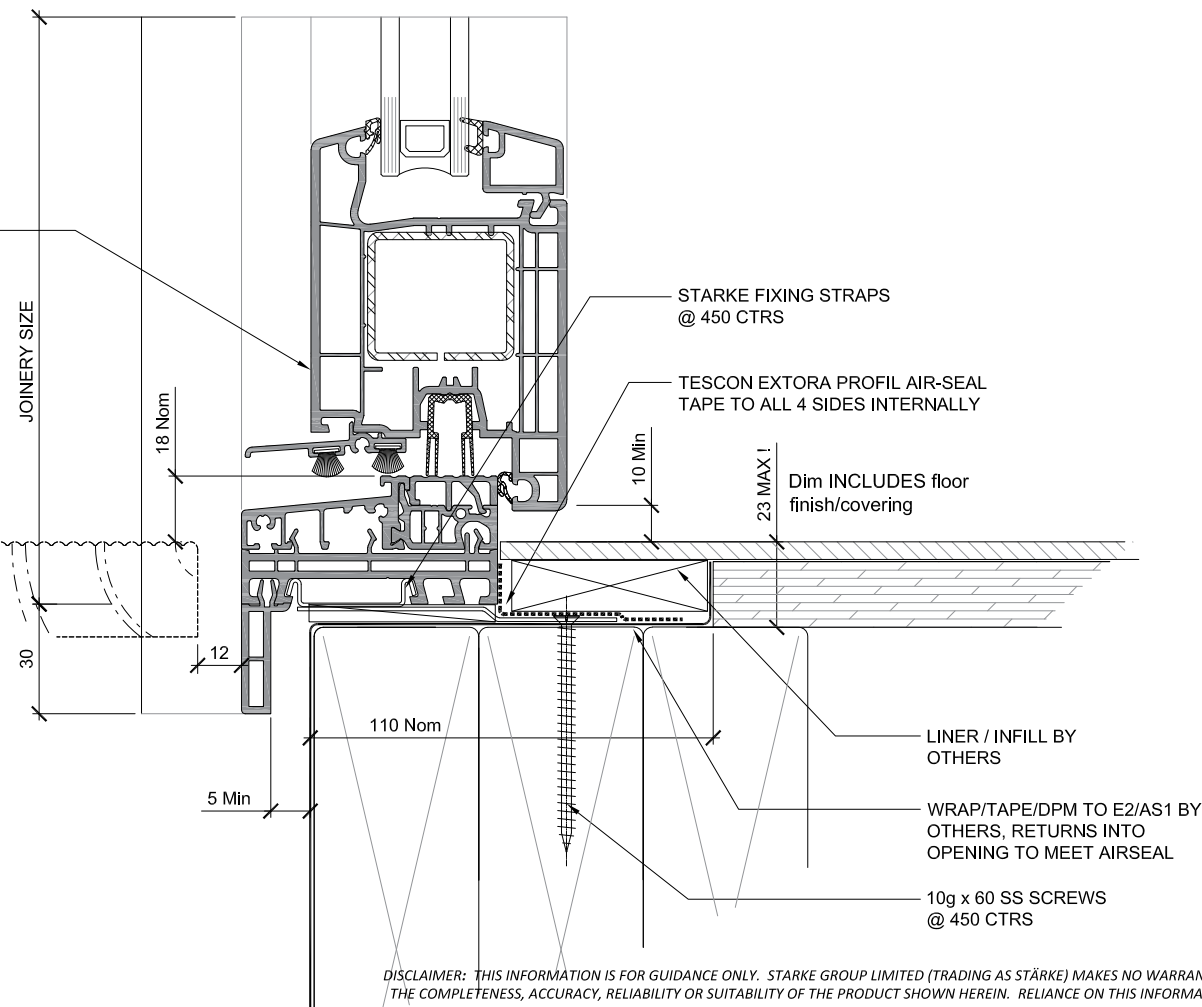
Premium - Low profile threshold

Fully Rebated

STARKE
AMBIANCE INLINE
WINDOW SYSTEM -
MASTERSPEC
4541SU uPVC



STARKE
AMBIANCE INLINE
WINDOW SYSTEM -
MASTERSPEC
4541SU uPVC

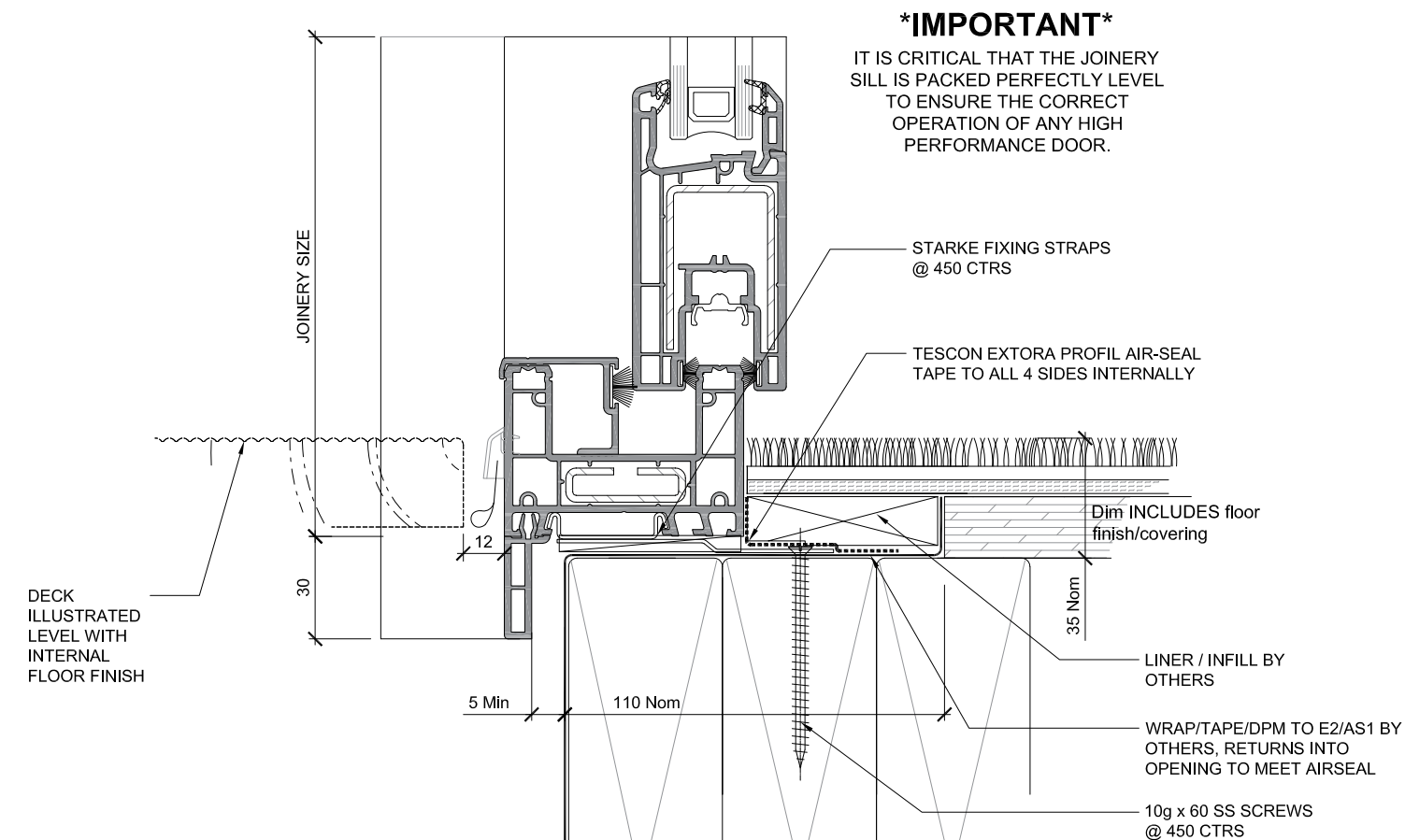
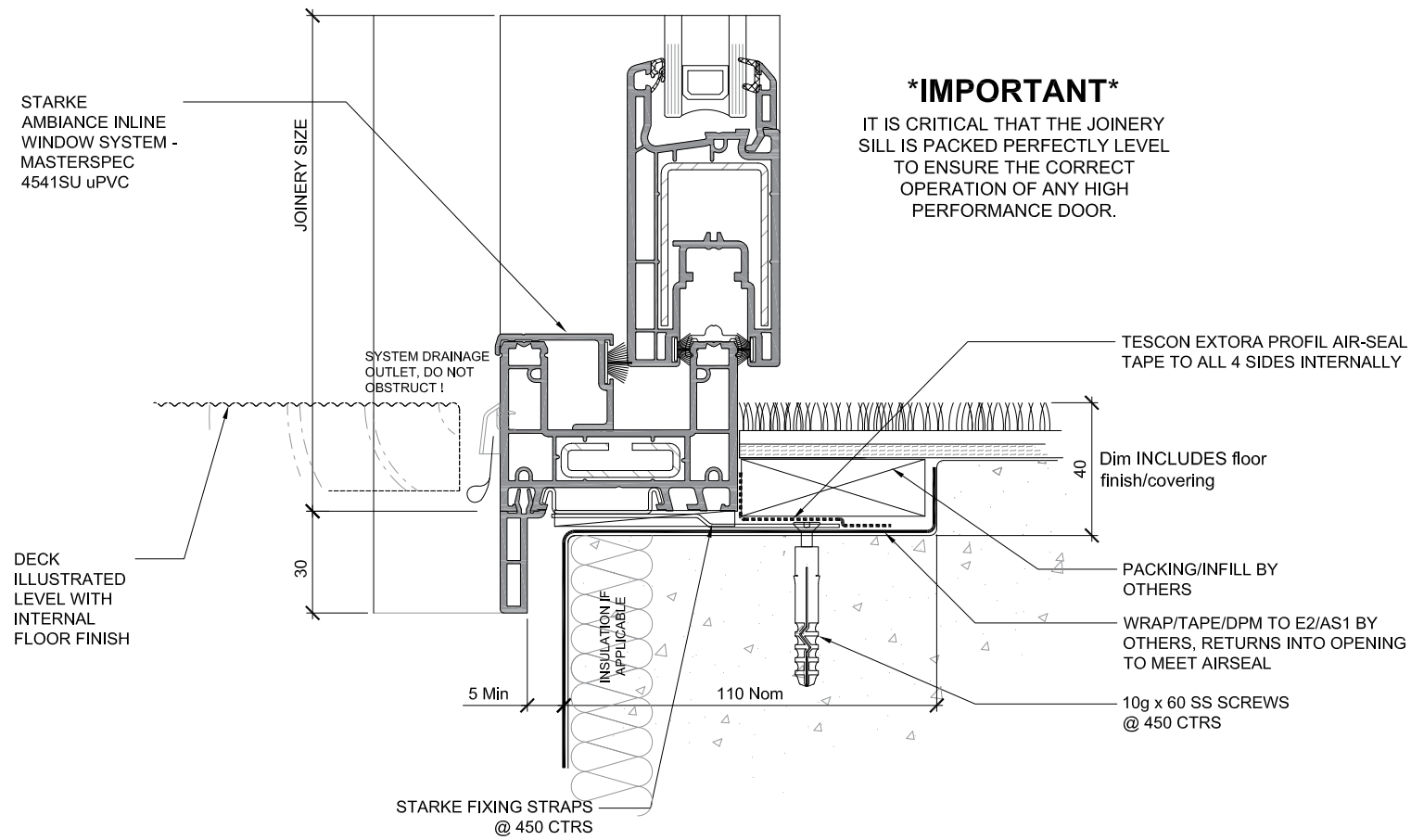


AMBIANCE™

Inline Window Systems

STÄRKE

DISCLAIMER: THIS INFORMATION IS FOR GUIDANCE ONLY. STARKE GROUP LIMITED (TRADING AS STÄRKE) MAKES NO WARRANTY OR REPRESENTATION OF ANY KIND, EXPRESS OR IMPLIED, REGARDING THE COMPLETENESS, ACCURACY, RELIABILITY OR SUITABILITY OF THE PRODUCT SHOWN HEREIN. RELIANCE ON THIS INFORMATION IS AT THE CUSTOMER'S SOLE RISK. IT IS RECOMMENDED THAT THE CUSTOMER SEEKS PROFESSIONAL ADVICE ON THE SUITABILITY OF THE PRODUCT FOR SPECIFIC APPLICATIONS. FOR TECHNICAL INFORMATION ON THE PRODUCT, PLEASE CONTACT STÄRKE.

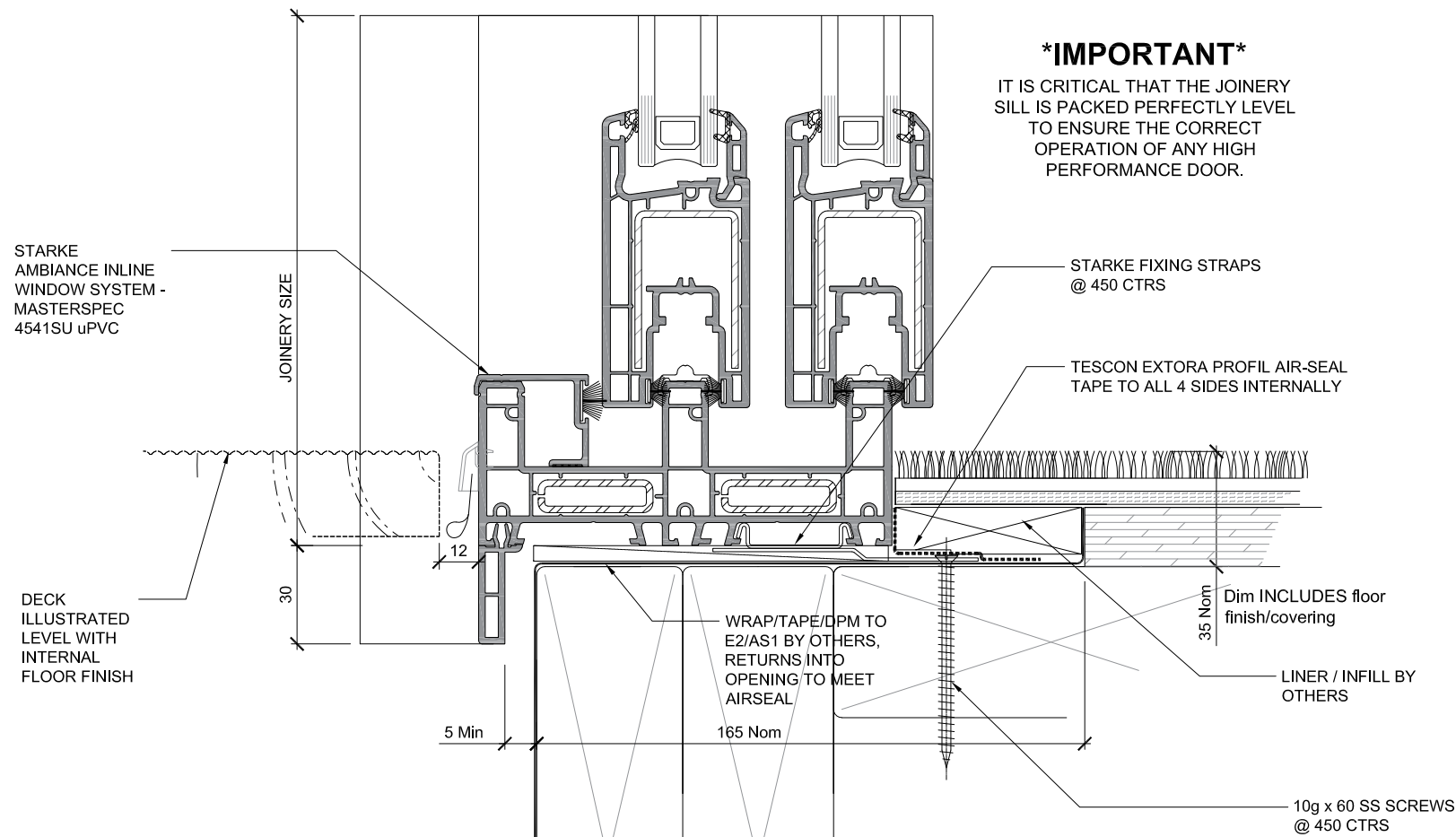
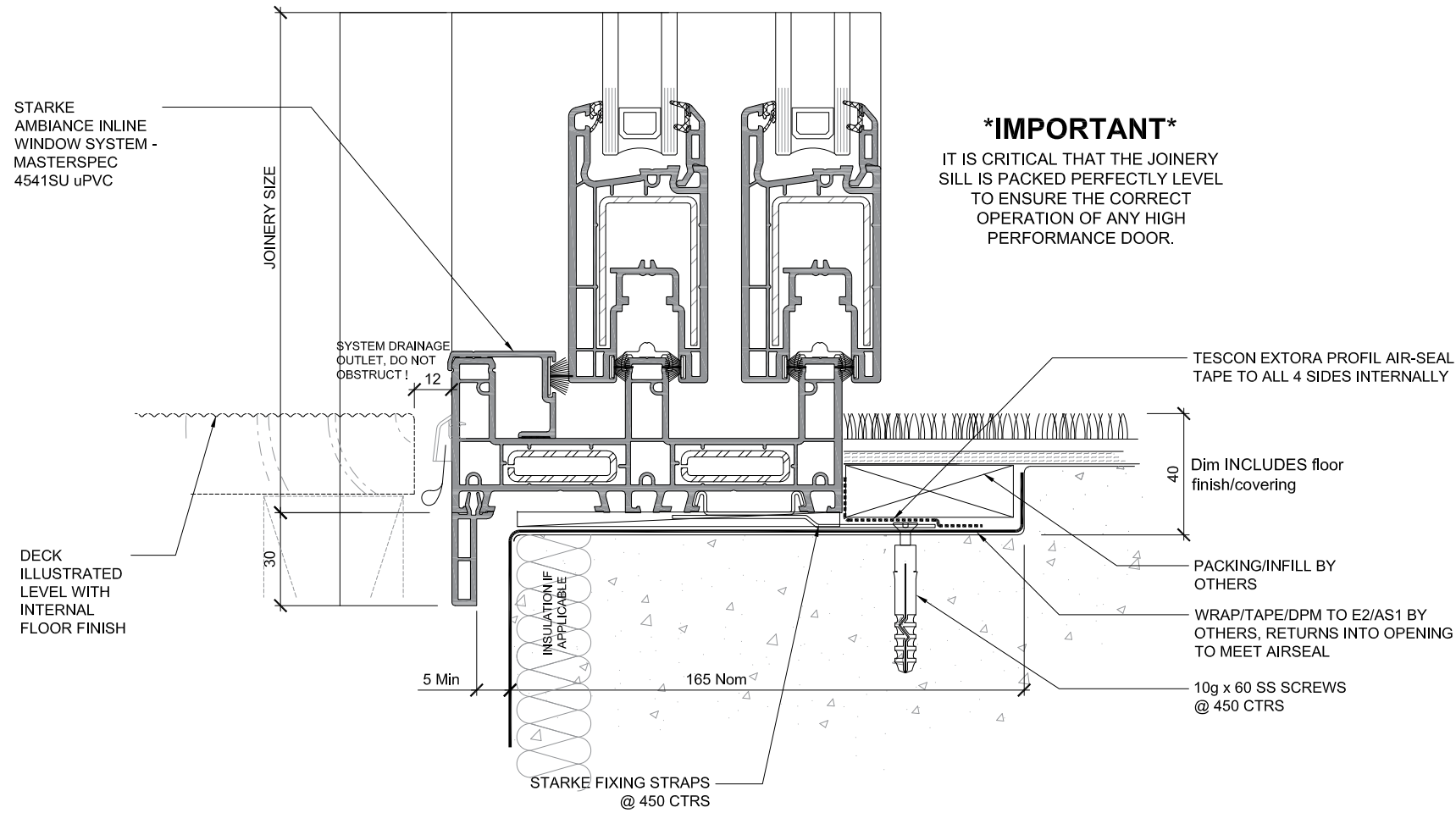


DISCLAIMER: THIS INFORMATION IS FOR GUIDANCE ONLY. STARKE GROUP LIMITED (TRADING AS STÄRKE) MAKES NO WARRANTY OR REPRESENTATION OF ANY KIND, EXPRESS OR IMPLIED, REGARDING THE COMPLETENESS, ACCURACY, RELIABILITY OR SUITABILITY OF THE PRODUCT SHOWN HEREIN. RELIANCE ON THIS INFORMATION IS AT THE CUSTOMER'S SOLE RISK. IT IS RECOMMENDED THAT THE CUSTOMER SEEKS PROFESSIONAL ADVICE ON THE SUITABILITY OF THE PRODUCT FOR SPECIFIC APPLICATIONS. FOR TECHNICAL INFORMATION ON THE PRODUCT, PLEASE CONTACT STÄRKE.

AMBIANCE™

Inline Window Systems

STÄRKE

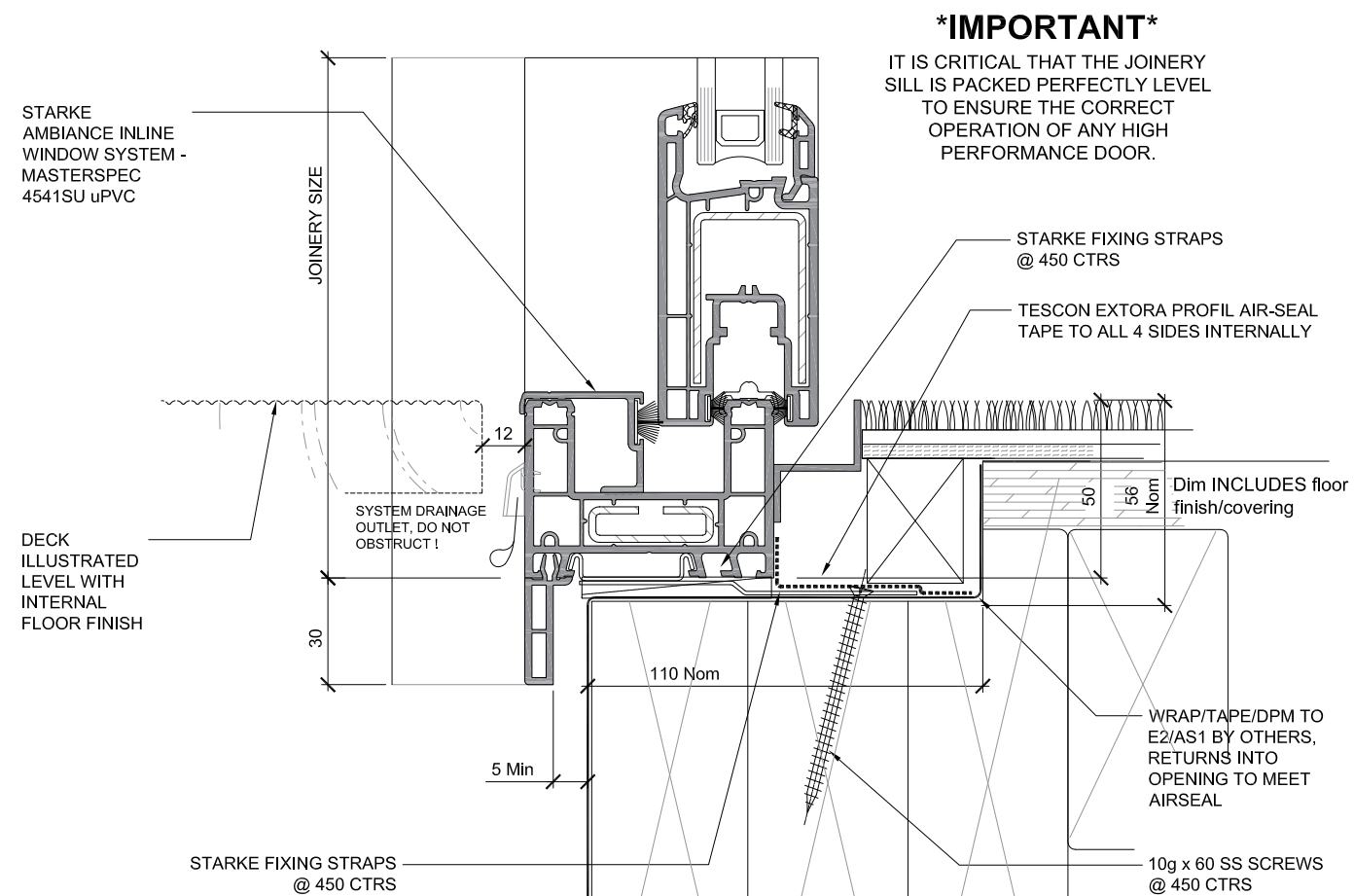
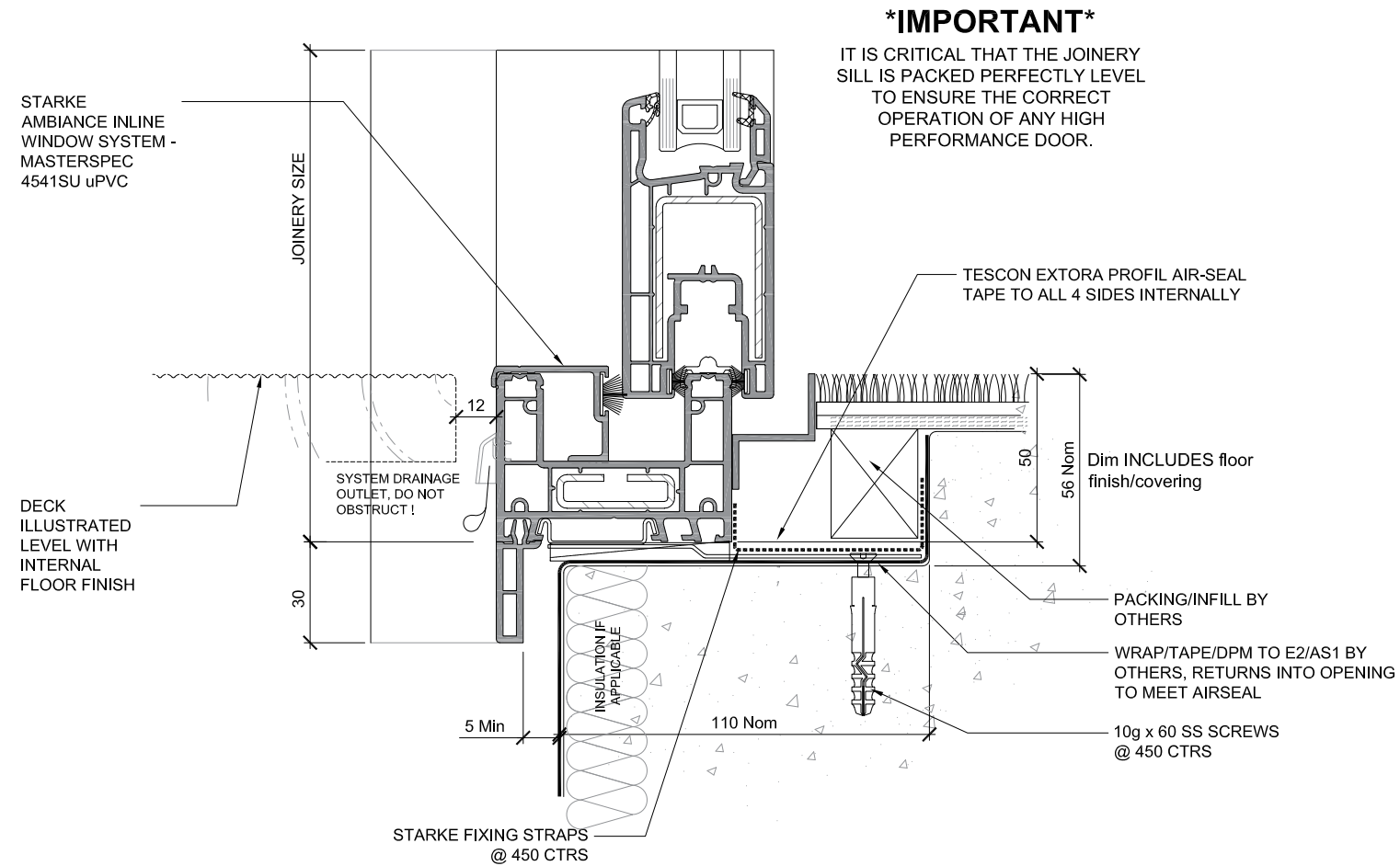


DISCLAIMER: THIS INFORMATION IS FOR GUIDANCE ONLY. STARKE GROUP LIMITED (TRADING AS STÄRKE) MAKES NO WARRANTY OR REPRESENTATION OF ANY KIND, EXPRESS OR IMPLIED, REGARDING THE COMPLETENESS, ACCURACY, RELIABILITY OR SUITABILITY OF THE PRODUCT SHOWN HEREIN. RELIANCE ON THIS INFORMATION IS AT THE CUSTOMER'S SOLE RISK. IT IS RECOMMENDED THAT THE CUSTOMER SEEKS PROFESSIONAL ADVICE ON THE SUITABILITY OF THE PRODUCT FOR SPECIFIC APPLICATIONS. FOR TECHNICAL INFORMATION ON THE PRODUCT, PLEASE CONTACT STÄRKE.

AMBIANCE™

Inline Window Systems

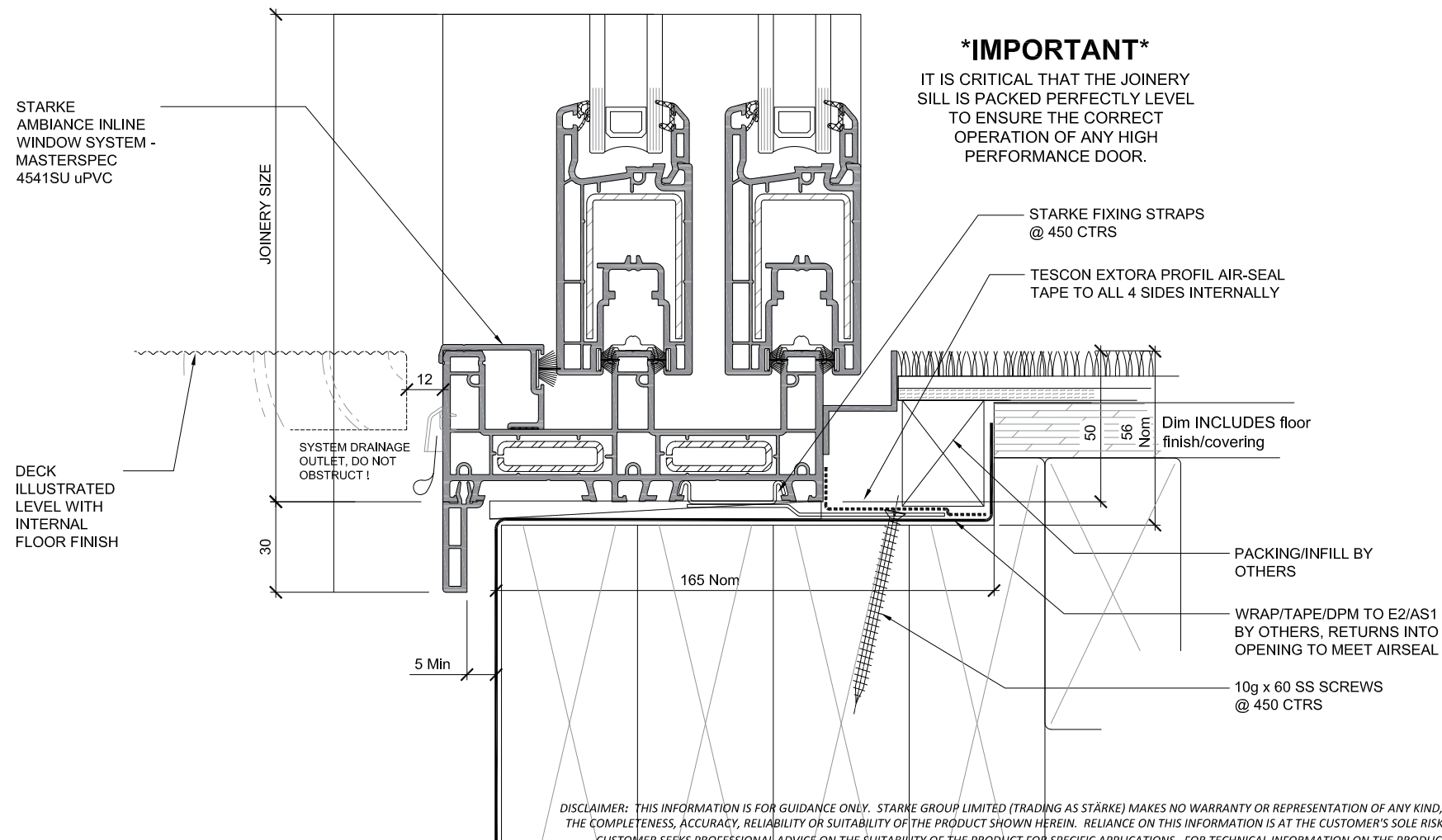
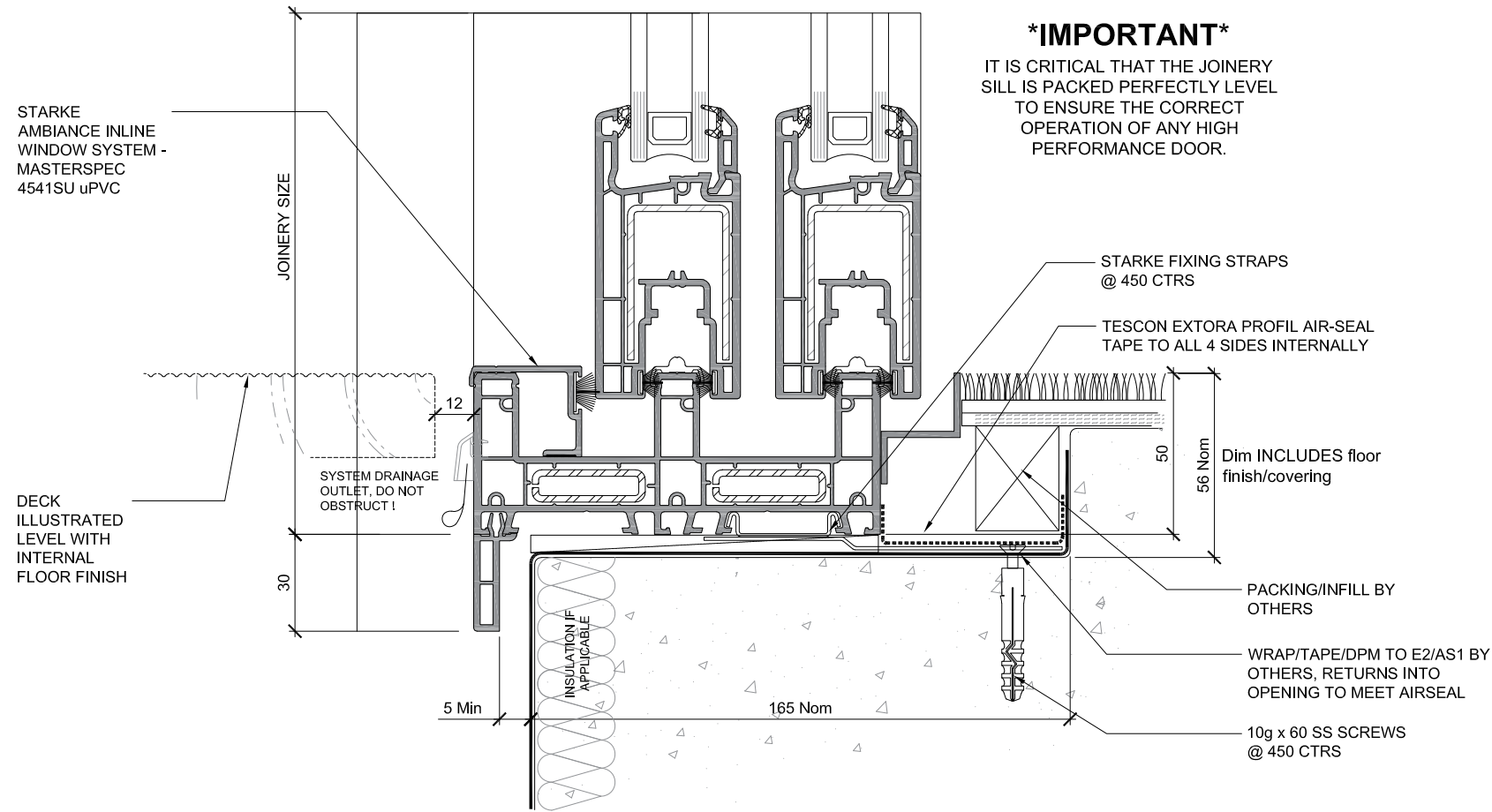
STÄRKE



DISCLAIMER: THIS INFORMATION IS FOR GUIDANCE ONLY. STARKE GROUP LIMITED (TRADING AS STÄRKE) MAKES NO WARRANTY OR REPRESENTATION OF ANY KIND, EXPRESS OR IMPLIED, REGARDING THE COMPLETENESS, ACCURACY, RELIABILITY OR SUITABILITY OF THE PRODUCT SHOWN HEREIN. RELIANCE ON THIS INFORMATION IS AT THE CUSTOMER'S SOLE RISK. IT IS RECOMMENDED THAT THE CUSTOMER SEEKS PROFESSIONAL ADVICE ON THE SUITABILITY OF THE PRODUCT FOR SPECIFIC APPLICATIONS. FOR TECHNICAL INFORMATION ON THE PRODUCT, PLEASE CONTACT STÄRKE.

AMBIANCE™
Inline Window Systems

STÄRKE

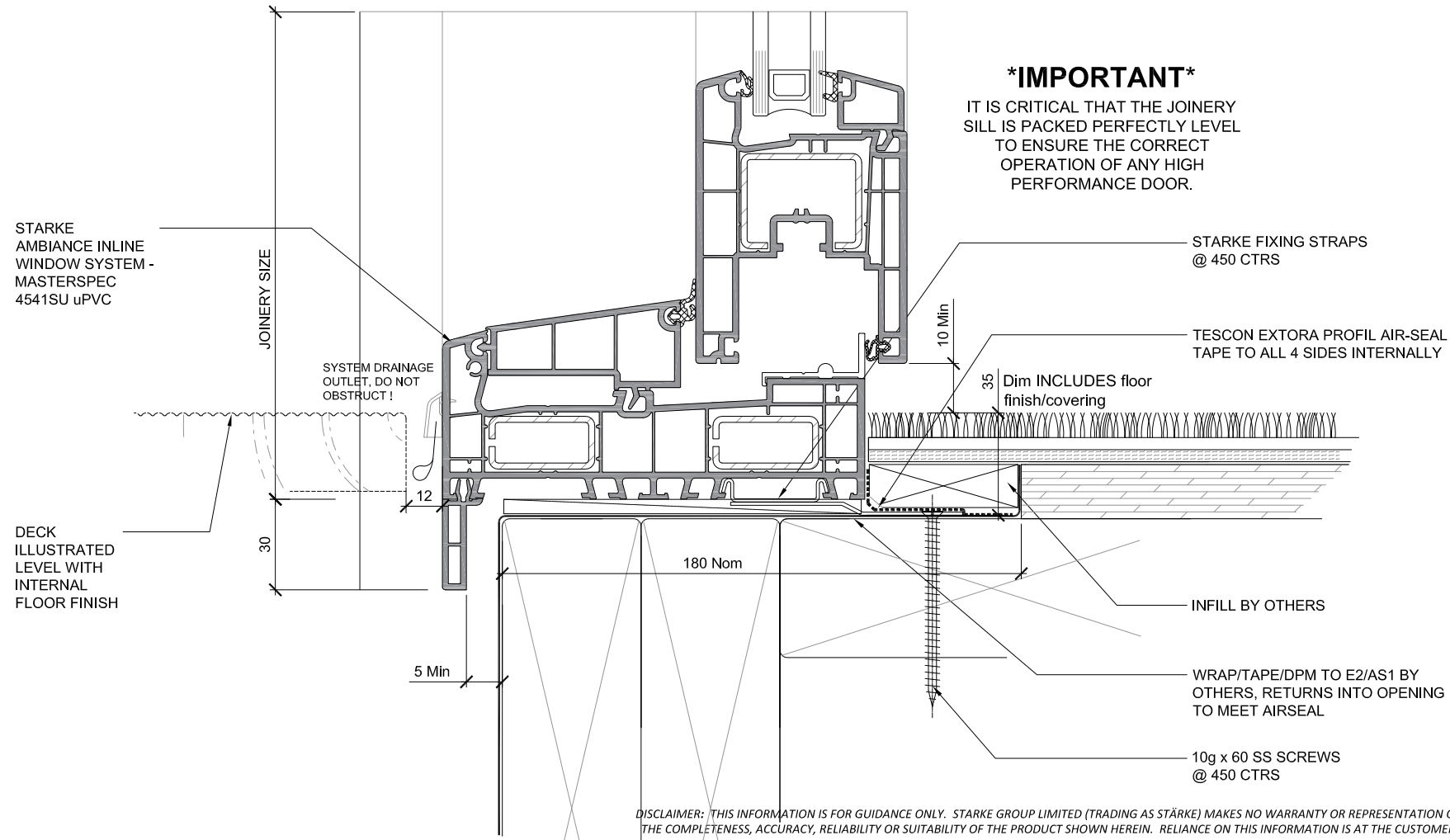
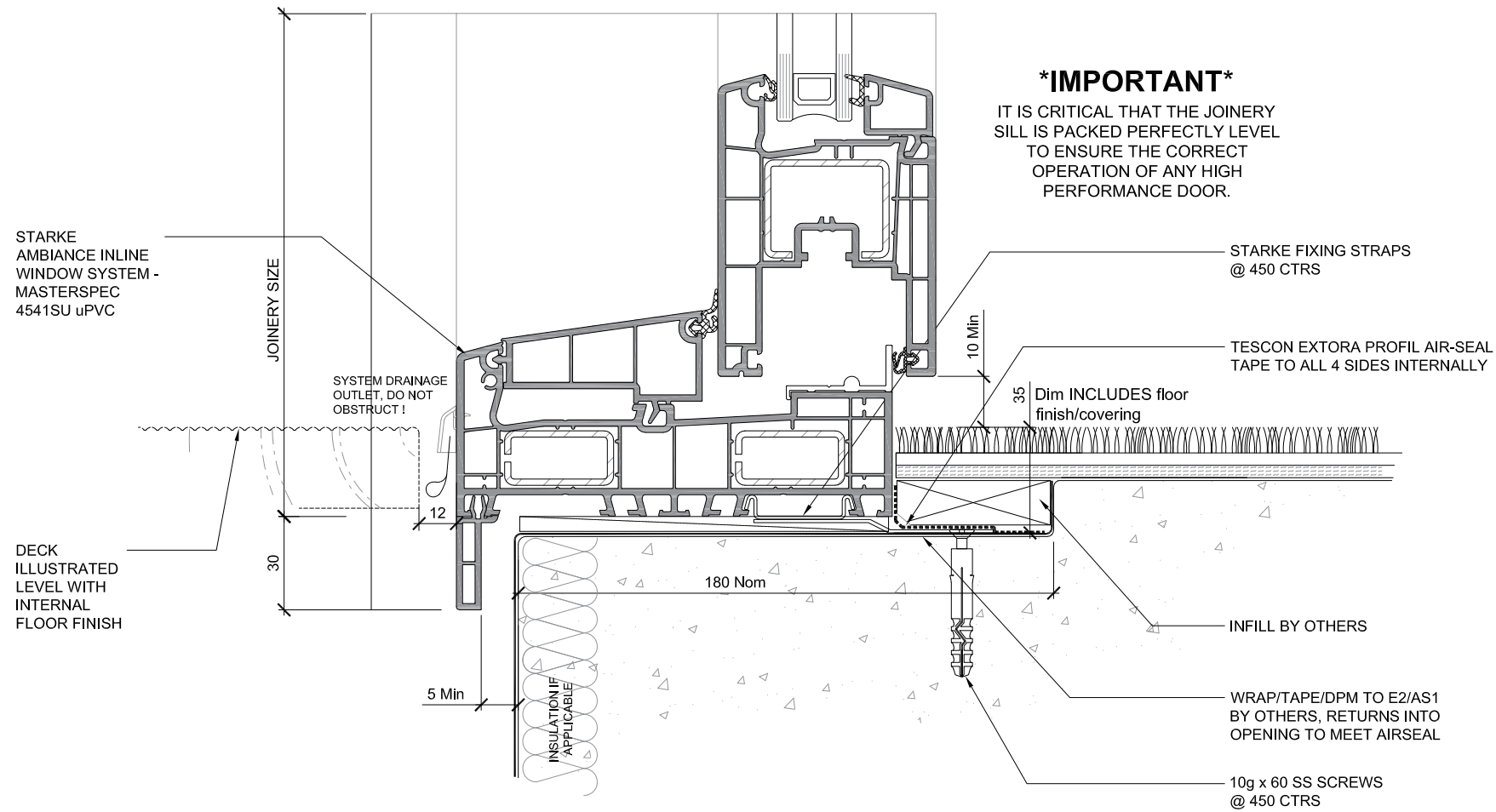


AMBIANCE™

Inline Window Systems

STÄRKE

DISCLAIMER: THIS INFORMATION IS FOR GUIDANCE ONLY. STARKE GROUP LIMITED (TRADING AS STÄRKE) MAKES NO WARRANTY OR REPRESENTATION OF ANY KIND, EXPRESS OR IMPLIED, REGARDING THE COMPLETENESS, ACCURACY, RELIABILITY OR SUITABILITY OF THE PRODUCT SHOWN HEREIN. RELIANCE ON THIS INFORMATION IS AT THE CUSTOMER'S SOLE RISK. IT IS RECOMMENDED THAT THE CUSTOMER SEEKS PROFESSIONAL ADVICE ON THE SUITABILITY OF THE PRODUCT FOR SPECIFIC APPLICATIONS. FOR TECHNICAL INFORMATION ON THE PRODUCT, PLEASE CONTACT STÄRKE.

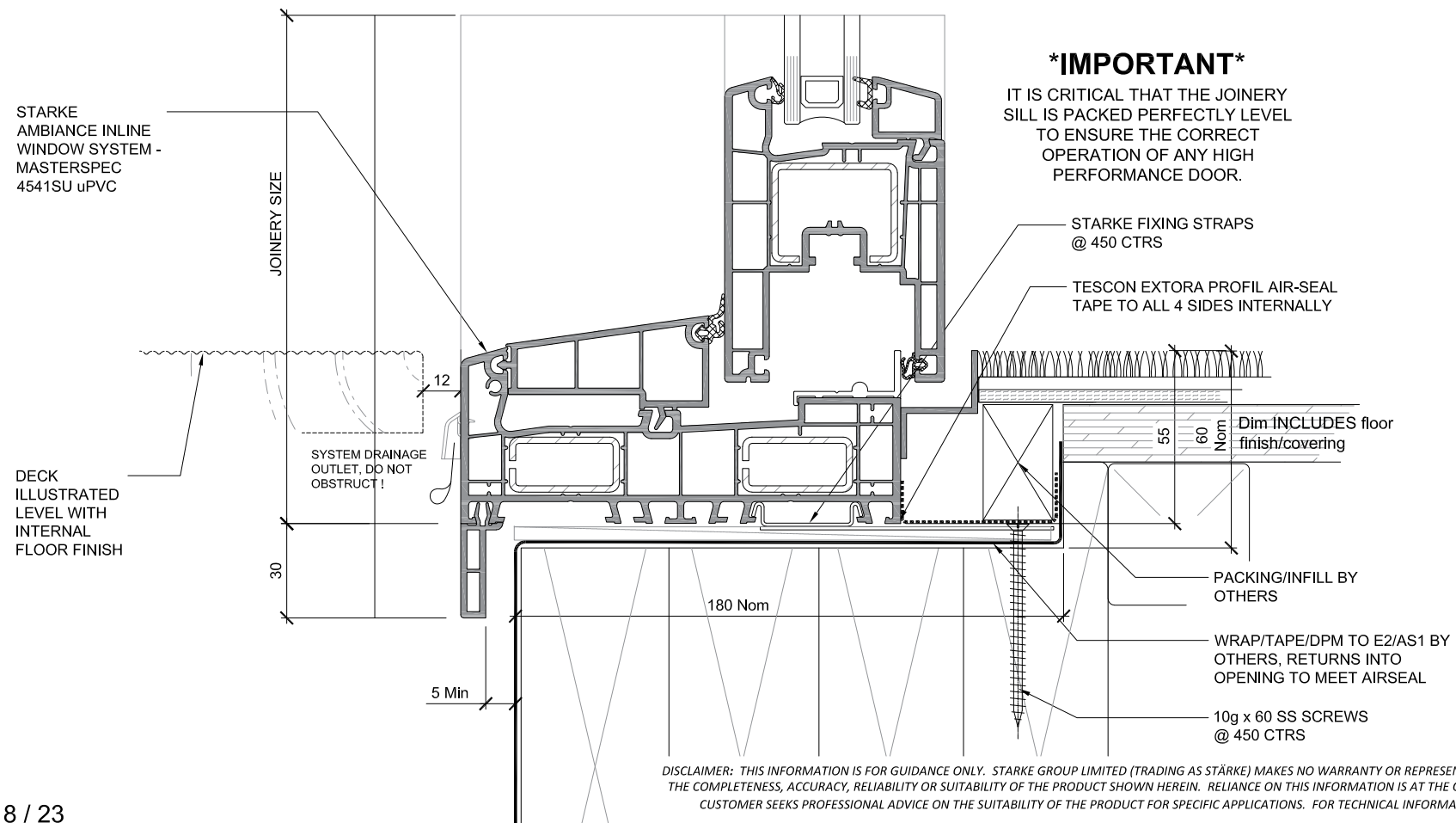
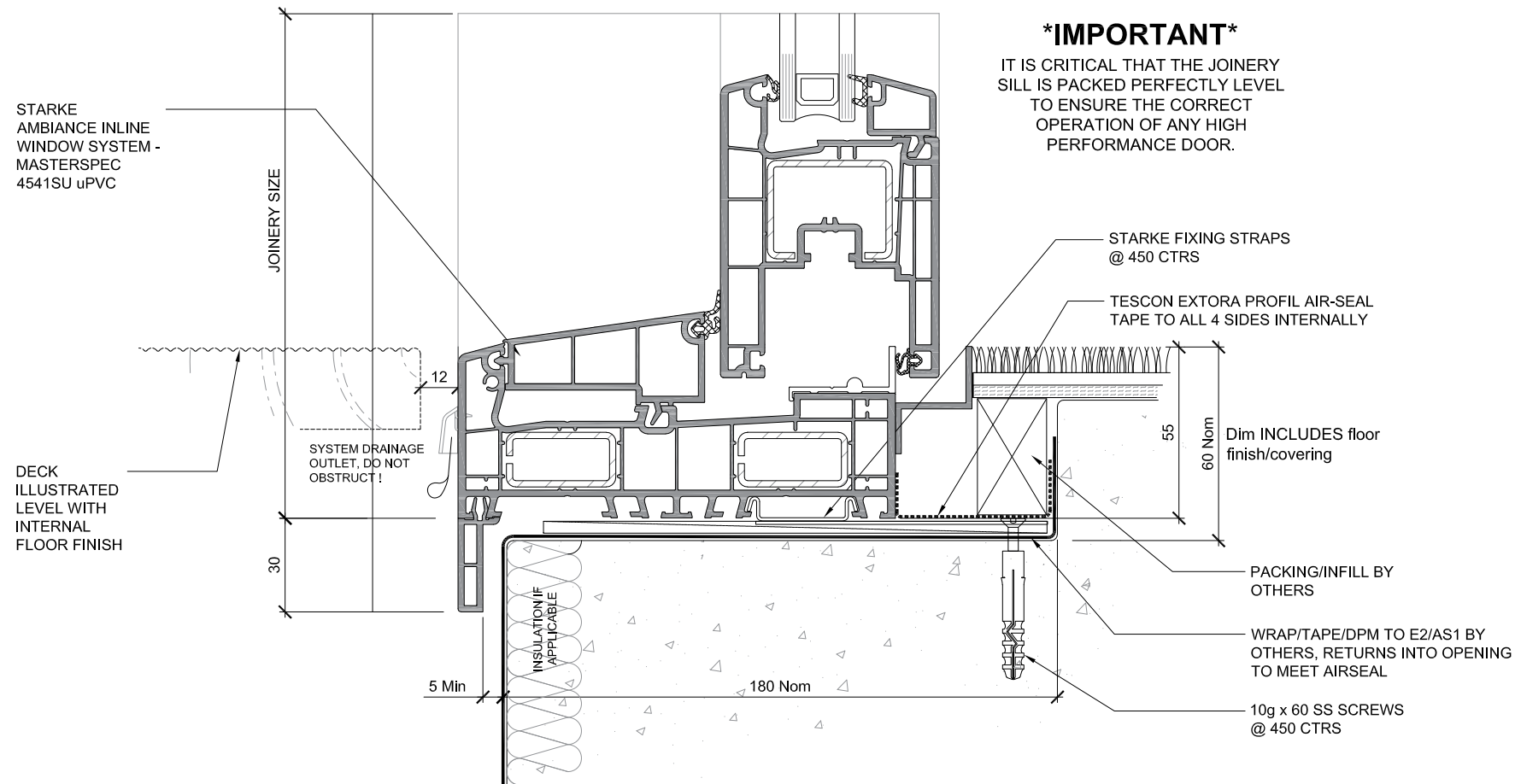


AMBIANCE™

Inline Window Systems

STÄRKE

DISCLAIMER: THIS INFORMATION IS FOR GUIDANCE ONLY. STARKE GROUP LIMITED (TRADING AS STÄRKE) MAKES NO WARRANTY OR REPRESENTATION OF ANY KIND, EXPRESS OR IMPLIED, REGARDING THE COMPLETENESS, ACCURACY, RELIABILITY OR SUITABILITY OF THE PRODUCT SHOWN HEREIN. RELIANCE ON THIS INFORMATION IS AT THE CUSTOMER'S SOLE RISK. IT IS RECOMMENDED THAT THE CUSTOMER SEEKS PROFESSIONAL ADVICE ON THE SUITABILITY OF THE PRODUCT FOR SPECIFIC APPLICATIONS. FOR TECHNICAL INFORMATION ON THE PRODUCT, PLEASE CONTACT STÄRKE.

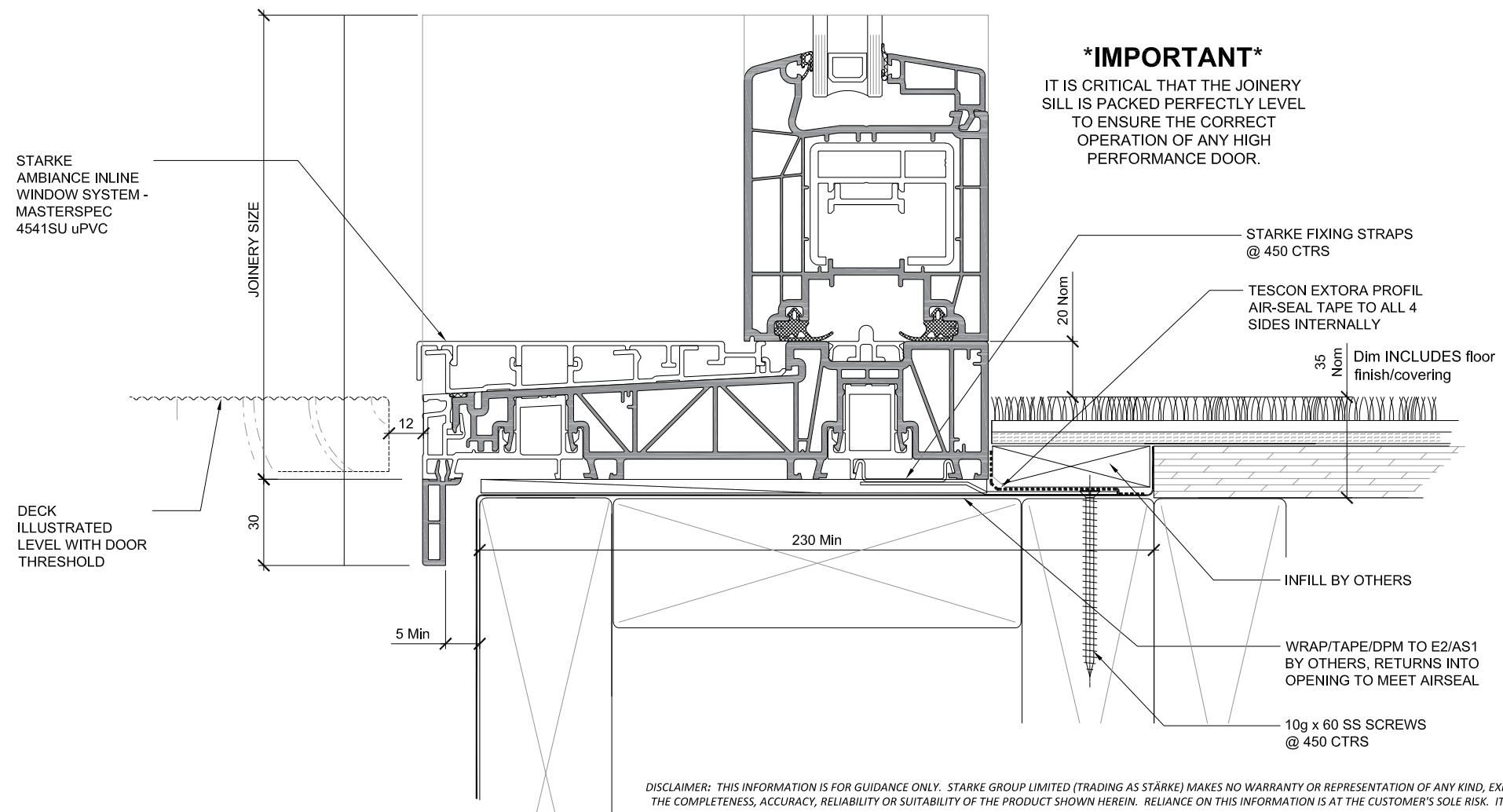
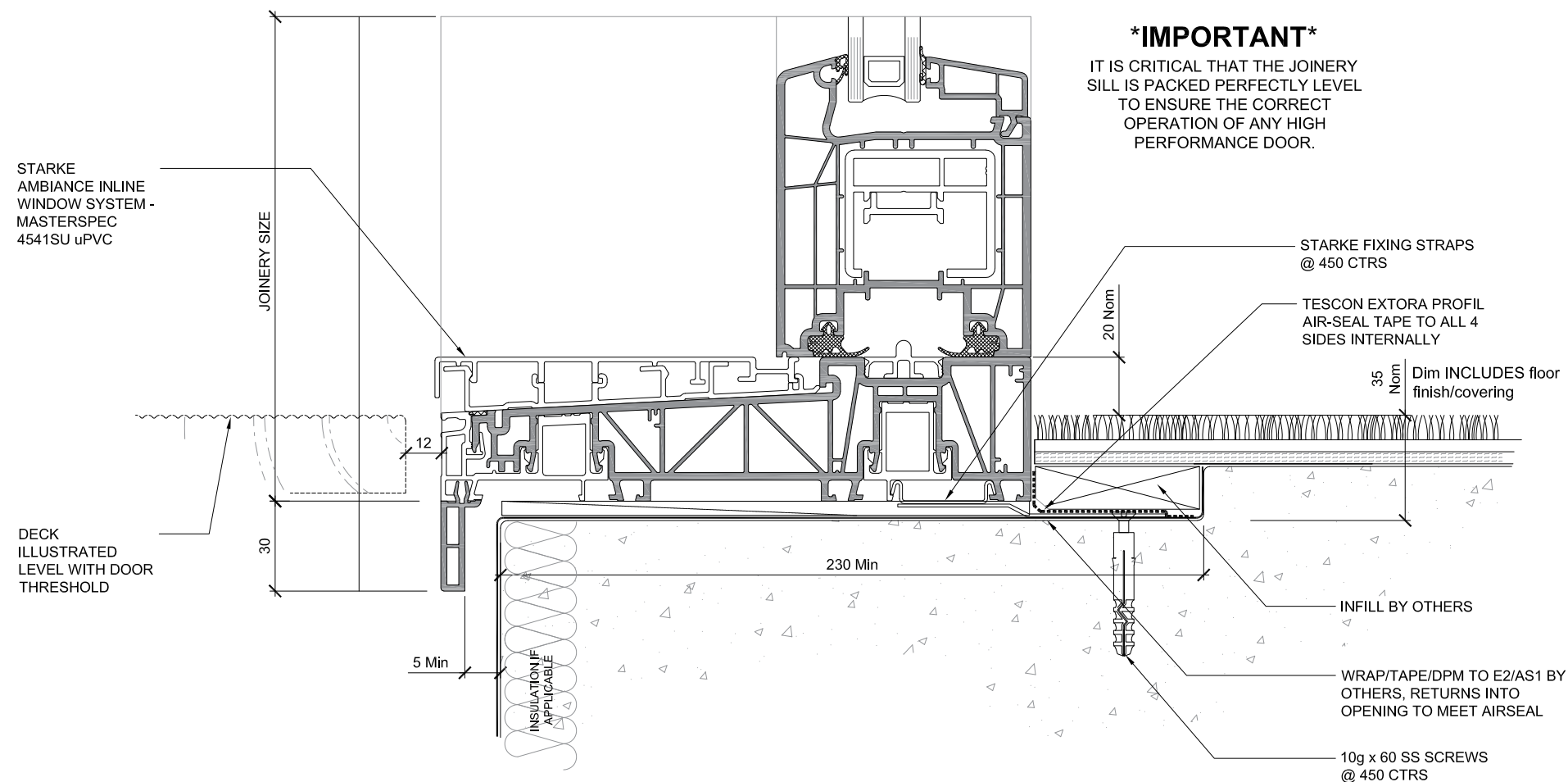


AMBIANCE™

Inline Window Systems

STÄRKE

DISCLAIMER: THIS INFORMATION IS FOR GUIDANCE ONLY. STARKE GROUP LIMITED (TRADING AS STÄRKE) MAKES NO WARRANTY OR REPRESENTATION OF ANY KIND, EXPRESS OR IMPLIED, REGARDING THE COMPLETENESS, ACCURACY, RELIABILITY OR SUITABILITY OF THE PRODUCT SHOWN HEREIN. RELIANCE ON THIS INFORMATION IS AT THE CUSTOMER'S SOLE RISK. IT IS RECOMMENDED THAT THE CUSTOMER SEEKS PROFESSIONAL ADVICE ON THE SUITABILITY OF THE PRODUCT FOR SPECIFIC APPLICATIONS. FOR TECHNICAL INFORMATION ON THE PRODUCT, PLEASE CONTACT STÄRKE.

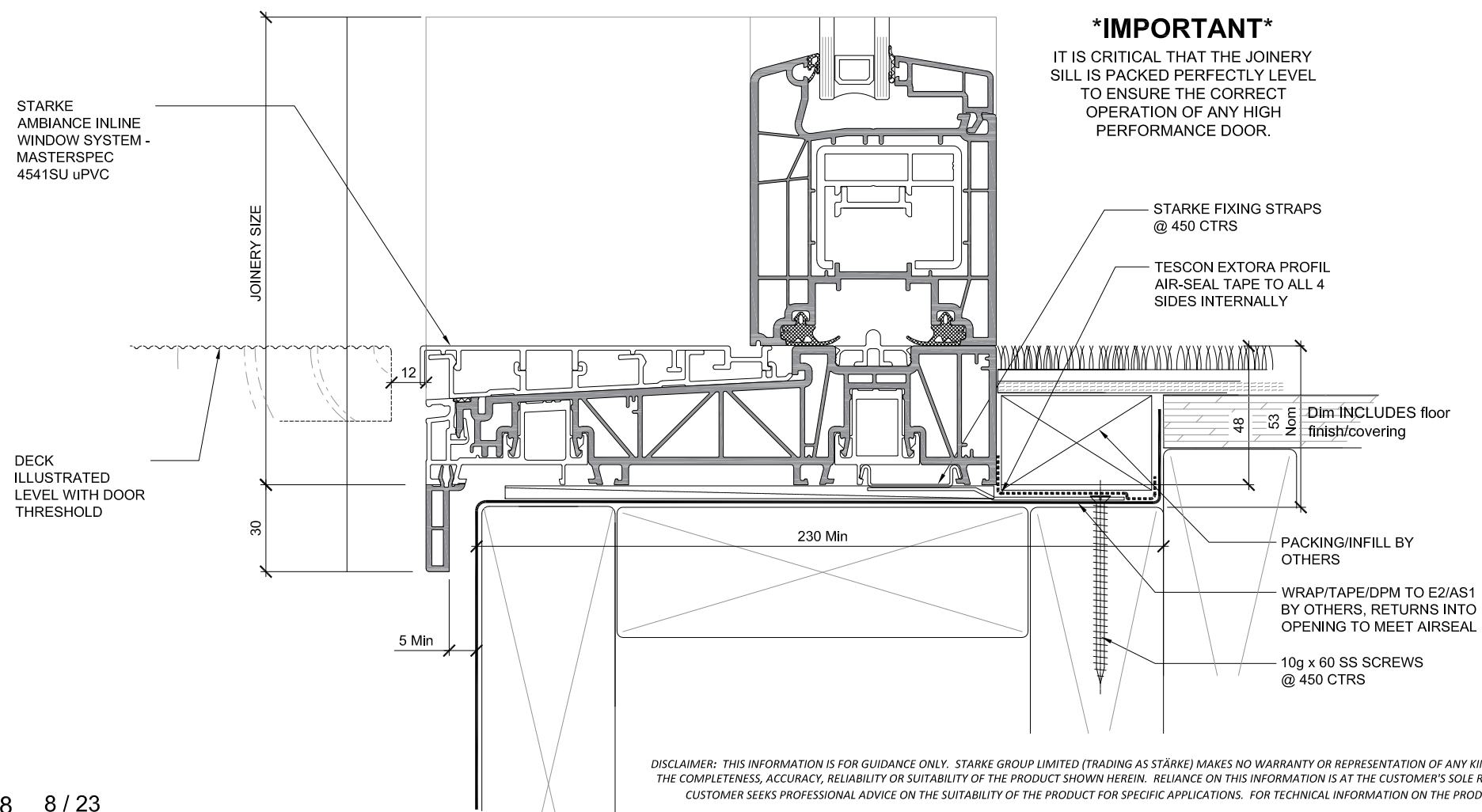
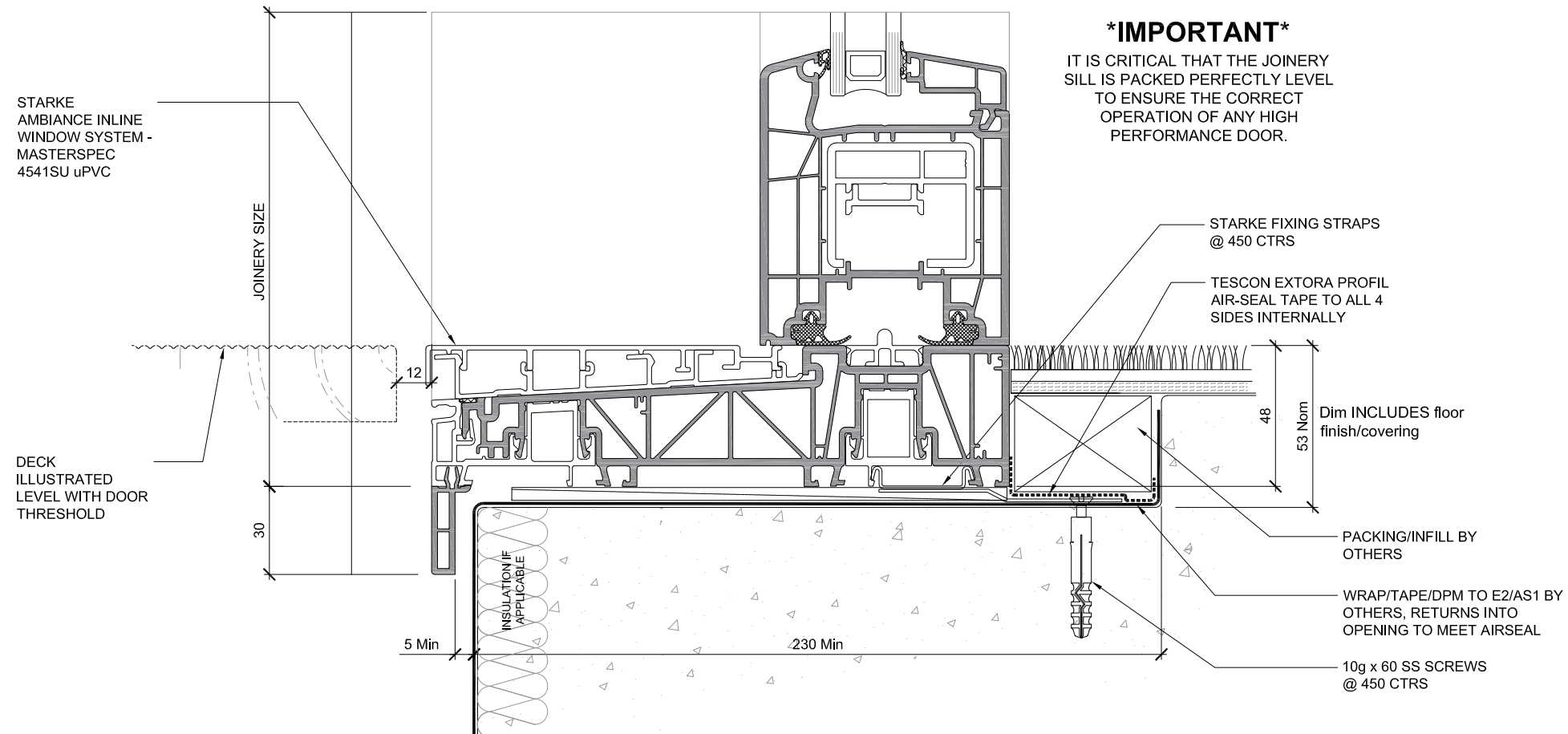


AMBIANCE™

Inline Window Systems

STÄRKE

DISCLAIMER: THIS INFORMATION IS FOR GUIDANCE ONLY. STARKE GROUP LIMITED (TRADING AS STÄRKE) MAKES NO WARRANTY OR REPRESENTATION OF ANY KIND, EXPRESS OR IMPLIED, REGARDING THE COMPLETENESS, ACCURACY, RELIABILITY OR SUITABILITY OF THE PRODUCT SHOWN HEREIN. RELIANCE ON THIS INFORMATION IS AT THE CUSTOMER'S SOLE RISK. IT IS RECOMMENDED THAT THE CUSTOMER SEEKS PROFESSIONAL ADVICE ON THE SUITABILITY OF THE PRODUCT FOR SPECIFIC APPLICATIONS. FOR TECHNICAL INFORMATION ON THE PRODUCT, PLEASE CONTACT STÄRKE.



AMBIANCE™

Inline Window Systems

STÄRKE

DISCLAIMER: THIS INFORMATION IS FOR GUIDANCE ONLY. STARKE GROUP LIMITED (TRADING AS STÄRKE) MAKES NO WARRANTY OR REPRESENTATION OF ANY KIND, EXPRESS OR IMPLIED, REGARDING THE COMPLETENESS, ACCURACY, RELIABILITY OR SUITABILITY OF THE PRODUCT SHOWN HEREIN. RELIANCE ON THIS INFORMATION IS AT THE CUSTOMER'S SOLE RISK. IT IS RECOMMENDED THAT THE CUSTOMER SEEKS PROFESSIONAL ADVICE ON THE SUITABILITY OF THE PRODUCT FOR SPECIFIC APPLICATIONS. FOR TECHNICAL INFORMATION ON THE PRODUCT, PLEASE CONTACT STÄRKE.